



SPECIFICATION MANUAL

FD100N-160N



Contents

1	Standard configuration	3
1.1	Technical specification	5
2	Mast availability chart	9
3	Option availability chart.....	10
3.1	Hydraulic activation	10
3.2	Hydraulic hosing options	10
3.3	Tilt cylinders	11
3.4	Tilt cylinder options	11
3.5	Cabin	11
3.6	Drive and steer tires	12
3.7	Productivity options.....	12
3.8	Special applications options	12
3.9	Warning or light options	13
3.10	Accessories.....	13
4	Forks and carriages	14
4.1	Forks.....	14
4.2	Carriages	15
4.3	Sideshifter.....	15
4.4	Fork positioner	15
5	Mast capacity charts	17
5.1	FD100N.....	17
5.2	FD120N.....	17
5.3	FD135N.....	18
5.4	FD150N.....	18
5.5	FD160N.....	19

1 Standard configuration

		FD100N	FD120N	FD135N	FD150N	FD160N
Nominal capacity	t	10.0	12.0	13.5	15.0	16.0
Load centre	mm	600	600	600	600	600
Fork dimensions (thickness x width x length)	mm	72 x 180 x 1,220	79 x 180 x 1,220	88 x 180 x 1,220	88 x 180 x 1,220	92x 180 x 1,220
IC engine rated / nominal output to ISO 1585	kW	129	129	129	129	129
Front tire dimensions	pcs / mm	10.00 x 20 - 14 PR	10.00 x 20 - 16 PR	12.00 x 20 - 18 PR	12.00 x 20 - 18 PR	12.00 x 20 - 18 PR
Rear tire dimensions	pcs / mm	10.00 x 20 - 14 PR	10.00 x 20 - 16 PR	12.00 x 20 - 18 PR	12.00 x 20 - 18 PR	12.00 x 20 - 18 PR
Overall width, b1	mm	2,515	2,515	2,605	2,605	2,635
Maximum driving speed with/without load	km / h	26.5 / 31.0	25.0 / 31.0	25.5 / 32.0	25.5 / 32.0	24.5 / 31.5

Supplied with:

Perkins 1,204E 4.4L sequential twin turbo in-line 4-cylinder tier 4 interim compliant diesel engine includes:

- Diesel oxidation catalyst (DOC)
- Maintenance-free diesel particulate filter (DPF)

U.L. approved model

Three speed powershift automatic transmission (3 forward, 3 reverse)

Transmission oil cooler

Transmission pressure ports (main, torque converter and clutch)

Transmission return to neutral for start

High visibility mast

Bronze mast bushings

Open steps with anti-slip plates

Designed for maximum runtime

Hydrostatic power steering

Double diesel filter

Engine protection system:

- Engine coolant temperature cutback
- Transmission oil temperature cutback
- Engine oil level cutback
- Brake fluid level monitoring
- Periodic maintenance alerts

Tilt steering column with mechanical quick return

Multiple entry point grab bars

Air over hydraulic power brakes (10t-13.5t models)

Oil cooled wet disc brakes (16t model)

Electronic direction control

Dual-action parking brake handle

Separate brake and inching pedals

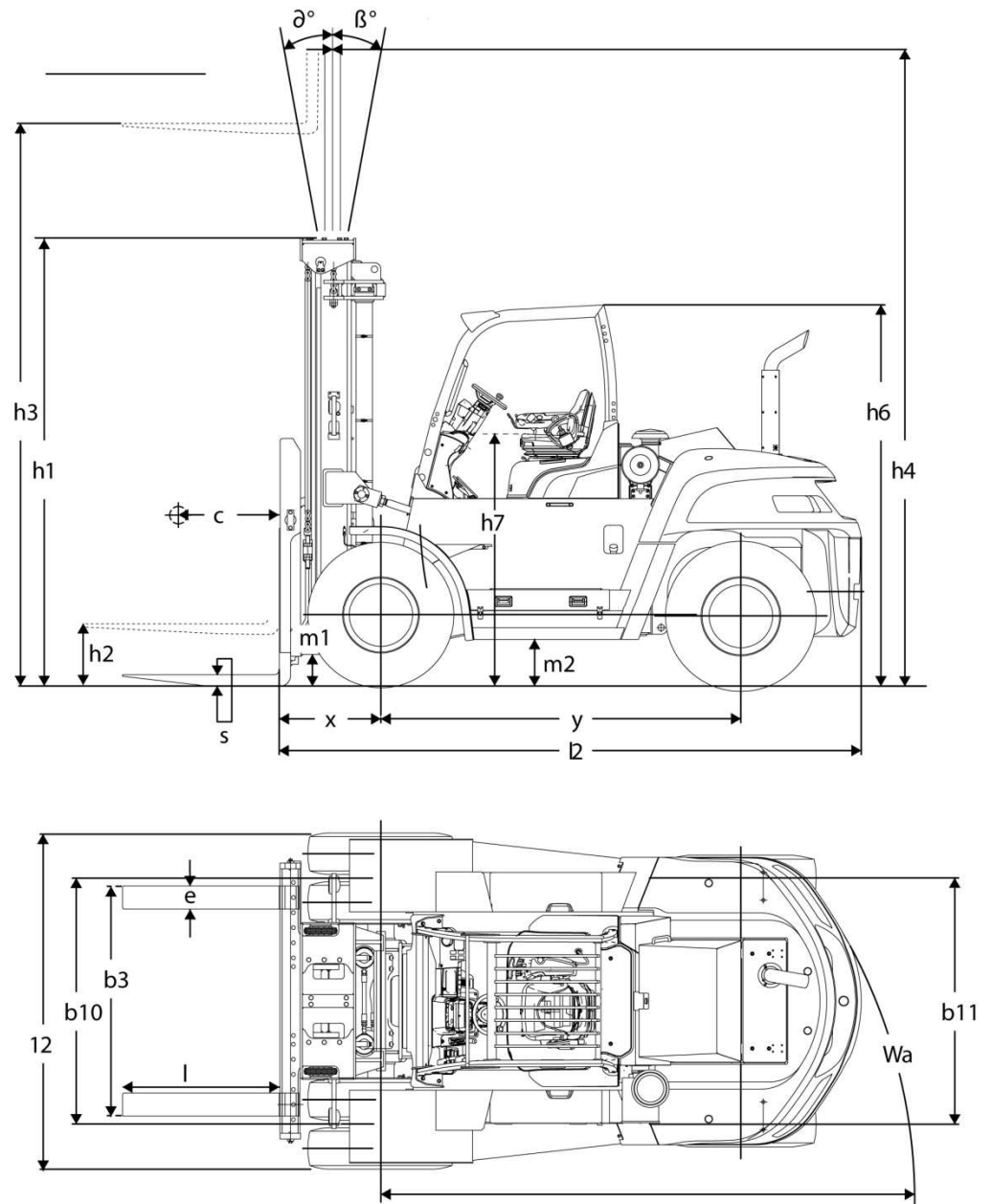
Panoramic mirrors mounted on the counterweight

Dual action parking brake handle

Quick and convenient daily service checks, 500 h service



Cyclone air filter	internals
Aluminium core corrugated fin radiator	Elevated exhaust
Anti-restart ignition key switch	Maintenance-free battery
Isolated (rubber-mounted) key components:	Fully insulated steel engine hood
<ul style="list-style-type: none">• Hydraulic control valves• Transmission• Engine• Radiator• Exhaust system• Secondary lift cylinders on mast	Presence detection system (PDS):
Premium LCD/Halogen display:	<ul style="list-style-type: none">• Transmission interlock indicator• Mast and auxiliary hydraulic lockout• Parking brake warning• Seat belt reminder warning
<ul style="list-style-type: none">• Travel direction indicator• Combination parking brake and brake fluid level warning• Transmission oil warning• Engine oil pressure warning• Radiator coolant level indicator• Seat belt reminder• Diagnostic warning• Alternator (battery charging status) warning• Transmission interlock indicator• Mast interlock indicator• Engine coolant temperature gauge• Fuel gauge• Fuel efficiency gauge• Combination hour meter and on-board diagnostic display• Service indicator light• Speedometer and clock display• Operator passcode functionality	

1.1 Technical specification



1 IDENTIFICATION							
1.1	Manufacturer (abbreviation)		Mitsubishi	Mitsubishi	Mitsubishi	Mitsubishi	Mitsubishi
1.2	Manufacturer's model designation		FD100N	FD120N	FD135N	FD150N	FD160N
1.3	Power source: (battery, diesel, LP gas, petrol)		Diesel	Diesel	Diesel	Diesel	Diesel
1.4	Operator type: pedestrian, (operator) standing, seated		Seated	Seated	Seated	Seated	Seated
1.5	Load capacity	Q [kg]	10,000	12,000	13,500	15,000	16,000
1.6	At load centre	c [mm]	600	600	600	600	600
1.8	Load distance	x [mm]	770	780	800	805	820
1.9	Wheel base	y [mm]	2,800	2,800	2,800	3,100	3,300
2 WEIGHTS							
2.1	Truck weight, without load / including battery (simplex mast, lowest lift height)	[kg]	14,610	15,860	17,480	18,050	18,940
2.2	Axle loading with maximum load, front/rear (simplex mast, lowest lift height)	[kg]	22,150 / 2,460	25,130 / 2,730	27,940 / 3,040	30,055 / 2,995	31,895 / 3,045
2.3	Axle loading without load, front/rear (simplex mast, lowest lift height)	[kg]	7,260 / 7,350	7,230 / 8,630	7,700 / 9,780	8,260 / 9,790	9,025 / 9,915
3 WHEELS AND DRIVE TRAIN							
3.1	Tyre type: V=solid, L=pneumatic, SE=solid pneumatic - front/rear		L	L	L	L	L
3.2	Tyre dimensions, front		10.00 x 20- 14 PR	10.00 x 20 - 16 PR	12.00 x 20 - 18 PR	12.00 x 20 - 18 PR	12.00 x 20 - 18 PR
3.3	Tyre dimensions, rear		10.00 x 20 - 14 PR	10.00 x 20 - 16 PR	12.00 x 20 - 18 PR	12.00 x 20 - 18 PR	12.00 x 20 - 18 PR
3.5	Number of wheels, front/rear (x=driven)		4X / 2	4X / 2	4X / 2	4x / 2	4X / 2
3.6	Track width (centre of tyres), front	b10 [mm]	1,900	1,900	1,905	1,905	1,905
3.7	Track width (centre of tyres), rear	b11 [mm]	1,965	1,965	1,925	1,925	1,890

4		DIMENSIONS					
4.1	Mast tilt, forwards/backwards	∂/β °	15 / 12	15 / 12	15 / 12	15 / 12	15 / 12
4.2	Height with mast lowered (see tables)	h1 [mm]	3087	3087	3332	3,332	3530
4.3	Free lift (see tables)	h2 [mm]	72	72	88	88	92
4.4	Lift height (see tables)	h3 [mm]	3,072	3,072	3,088	3,088	3,092
4.5	Overall height with mast raised	h4 [mm]	4,486	4,486	4,927	4,927	4,927
4.7	Height to top of overhead guard	h6 [mm]	3,015	3,020	3,060	3,060	3,060
4.8	Seat height	h7 [mm]	1,915	1,915	1,960	1,960	1,960
4.12	Tow coupling height	h10 [mm]	695	695	740	735	735
4.19	Overall length	l1 [mm]	5,530	5,610	5,755	6,060	6,275
4.20	Length to fork face (includes fork thickness)	l2 [mm]	4,310	4,390	4,535	4,840	5,055
4.21	Overall width	b1 [mm]	2,515	2,515	2,605	2,605	2,635
4.22	Fork dimensions (thickness, width, length)	s / e / l [mm]	72 x 180 x 1,220	79 x 180 x 1,220	88 x 180 x 1,220	88 x 180 x 1,220	92x 180 x 1,220
4.23	Fork carriage to DIN 15 173 A/B/no		no	no	no	no	no
4.24	Fork carriage width	b3 [mm]	2,010	2,010	2,260	2,280	2,280
4.31	Ground clearance under mast, with load	m1 [mm]	260	260	305	300	300
4.32	Ground clearance at centre of wheelbase, with load (forks lowered)	m2 [mm]	310	310	355	355	355
4.33/a	Working aisle width with 1000 x1200 mm pallets, crosswise	Ast [mm]	5,970	6,040	6,160	6,555	6,835
4.34/a	Working aisle width with 800 x1200 mm pallets, lengthwise	Ast [mm]	6,170	6,240	6,360	6,755	7,035
4.35	Turning circle radius	Wa [mm]	4,000	4,060	4,160	4,550	4,550
4.36	Minimum distance between centers of rotation	b13 [mm]	1,565	1,565	1,565	1,815	2,000

5		PERFORMANCE					
5.1	Travel speed, with/without load	[km/h]	26.5 / 31.0	25.0 / 31.0	25.5 / 32.0	25.0 / 32.0	24.5 / 31.5
5.2	Lifting speed, with/without load	[m/s]	0.41 / 0.44	0.41 / 0.44	0.34 / 0.37	0.34 / 0.37	0.32 / 0.34
5.3	Lowering speed, with/without load	[m/s]	0.45 / 0.47	0.45 / 0.47	0.45 / 0.48	0.45 / 0.48	0.41 / 0.44
5.5	Rated drawbar pull, with/without load	[N]	107,000 / 34,000	121,000 / 33,000	110,000 / 35,000	110,000 / 38,000	109,000 / 42,000
5.7	Gradeability, with/without load	[%]	42.1 / 21.7	42.2 / 19.7	38.9 / 18.8	36.2 / 20.0	33.4 / 21.1
5.10	Service brakes (mechanical/hydraulic/electric/pneumatic)		Pneum. / Hydr.	Pneum. / Hydr.	Pneum. / Hydr.	Pneum. / Hydr.-	Pneum. / Hydr.
7		IC ENGINE					
7.1	Manufacturer / Type		Perkins 1204E	Perkins 1204E	Perkins 1204E	Perkins 1204E	Perkins 1204E
7.2	Rated output B to ISO 1585	[kW]	129	129	129	129	129
7.3	Rated speed to DIN 70 020	[rpm]	2,200	2,200	2,200	2200	2,200
7.4	Number of cylinders / cubic capacity	[cm ³]	4 / 4.400	4 / 4.400	4 / 4.400	4 / 4.400	4 / 4.400
7.5	Fuel consumption according to VDI cycle	[l/h / kg/h]	-	-	-	-	-
8		OTHER					
8.1	Type of drive control		Powershift / 3	Powershift / 3	Powershift / 3	Powershift / 3	Powershift / 3
8.2	Maximum operating pressure for attachments	[bar]	170	170	170	170	170
8.3	Oil flow for attachments	[l/min]	-	-	-	-	-
8.4	Noise level, mean value at operator's ear	[dB(A)]	85	85	85	85	85
8.5	Towing coupling design / DIN type, ref.		Pin	Pin	Pin	Pin	Pin
Manufacturer reserves the right to make technical changes.					 		

2 Mast availability chart

○	Standard equipment
●	Available option

	CODE	FD100N	FD120N	FD135N	FD150N	FD160N
Simplex	2SP300	●	●	●	●	●
	2SP350	●	●	●	●	●
	2SP370	●	●	●	●	●
	2SP400	●	●	●	●	●
	2SP450	●	●	●	●	●
	2SP500	●	●	●	●	●
	2SP550	●	●	●	●	●
	2SP600	●	●	●	●	●
	2SP660	●	●	●	●	●

3 Option availability chart



NOTE: Refer to the Option Manual for option specifications!

- | | |
|---|--------------------|
| ○ | Standard equipment |
| ● | Available option |
| — | Not available |

3.1 Hydraulic activation

	CODE	FD100N	FD120N	FD135N	FD150N	FD160N
3-section valve with fingertip controls	3V/FC	○	○	○	○	○
3-section valve with seat side levers	3V/MC	●	●	●	●	●
4-section valve with fingertip controls	4V/FC	●	●	●	●	●
4-section valve with seat side levers	4V/MC	●	●	●	●	●
5-section valve with fingertip controls	5V/FC	●	●	●	●	●
5-section valve with seat side levers	5V/MC	●	●	●	●	●

3.2 Hydraulic hosing options

	CODE	FD100N	FD120N	FD135N	FD150N	FD160N
Single function hosing	3V/PS	●	●	●	●	●
Dual function hosing	4V/PS	●	●	●	●	●
Tri function hosing	5V/PS	●	●	●	●	●

3.3 Tilt cylinders

	CODE	FD100N	FD120N	FD135N	FD150N	FD160N
15° forward / 12° back tilt cylinders Only for use with masts with h3 < 5,560 mm.	15 - 12	•	•	•	•	•
6° forward / 6° back tilt cylinders	6 - 6	•	•	•	•	•

3.4 Tilt cylinder options

	CODE	FD100N	FD120N	FD135N	FD150N	FD160N
Tilt cylinder boot kit Only for use with 15° forward / 12° back tilt cylinders	T/BT	•	•	•	•	•

3.5 Cabin

	CODE	FD100N	FD120N	FD135N	FD150N	FD160N
Front windshield	FR+TP	•	•	•	•	•
Rear windshield	REAR	•	•	•	•	•
Steel doors	STL/D	•	•	•	•	•
PVC doors	PVC/D	•	•	•	•	•
Air conditioning	AIRCO	•	•	•	•	•

3.6 Drive and steer tires

	CODE	FD100N	FD120N	FD135N	FD150N	FD160N
Air-filled pneumatic dual drive / single steer tires (10-20-14PR)	LD/LS	○	—	—	—	—
Air-Filled Pneumatic Dual Drive / Single Steer Tires (10-20-16PR)	LD/LS	—	○	—	—	—
Air-Filled Pneumatic Dual Drive / Single Steer Tires (12-20-18PR)	LD/LS	—	—	○	○	○
Solid Pneumatic Dual Drive / Single Steer Tires, 10-20	UD/US	●	●	—	—	—
Solid Pneumatic Dual Drive / Single Steer Tires, 12-20	UD/US	—	—	●	●	●

3.7 Productivity options

	CODE	FD100N	FD120N	FD135N	FD150N	FD160N
Oil cooled wet disk brakes (includes controlled rollback)	WDB	●	●	●	●	○

3.8 Special applications options

	CODE	FD100N	FD120N	FD135N	FD150N	FD160N
Dual element air cleaner	CYC/D	●	●	●	●	●
Dust-proof front axle breather	B/FAX	●	●	●	●	●
Underbelly screen kit	U/COV	●	●	●	●	●
Elevated air intake pre-cleaner – OHG leg mounted	PRCL	●	●	●	●	●
Lockable fuel cap with key	F/CAP	●	●	●	●	●

3.9 Warning or light options

	CODE	FD100N	FD120N	FD135N	FD150N	FD160N
Work lights on the rear of the overhead guard	WRKL/R	•	•	•	•	•
Work lights mounted on the fender	WRKL/FEN	•	•	•	•	•
Two rear halogen working lights, mounted on the counterweight	WRKL/CW	•	•	•	•	•
Amber strobe light	STRB	•	•	•	•	•
Red strobe light	STRB/R	•	•	•	•	•
Air horn	AIRHORN	•	•	•	•	•
Engine shut-down system	ESS	•	•	•	•	•
Seat belt ignition interlock	SBI	•	•	•	•	•
Air cleaner service indicator	ACS	•	•	•	•	•

3.10 Accessories

	CODE	FD100N	FD120N	FD135N	FD150N	FD160N
Drawbar pin	TOWPIN	○	○	○	○	○
Dual panoramic rear view mirror kit (fender mounted)	RVM/F	•	•	•	•	•
Single panoramic rear view mirror (OHG center mounted)	RVM/C	•	•	•	•	•
Fire extinguisher - overhead guard mounted	FIRE	•	•	•	•	•
Lifting eyes, counterweight mounted	W/HOK	•	•	•	•	•
Lifting eyes, mast mounted	M/HOK	•	•	•	•	•

4 Forks and carriages

○	Standard equipment
●	Available option
—	Not available

4.1 Forks

FORK SIZE [mm]	FORK LENGTH [mm]	CODE	FD100N	FD120N	FD135N	FD150N	FD160N
72 x 180	1,220	S1220	●	—	—	—	—
79 x 180	1,220	S1220/L	—	●	—	—	—
88 x 180	1,220	S1220	—	—	●	●	—
92 x 180	1,220	S1220	—	—	—	—	●
72 x 180	1,520	S1520	●	—	—	—	—
79 x 180	1,520	S1520/L	—	●	—	—	—
88 x 180	1,520	S1520	—	—	●	●	—
92 x 180	1,520	S1520	—	—	—	—	●
72 x 180	1,820	S1820	●	—	—	—	—
79 x 180	1,820	S1820/L	—	●	—	—	—
88 x 180	1,820	S1820	—	—	●	●	—
92 x 180	1,820	S1820	—	—	—	—	●
75 x 180	2,440	S2440	●	—	—	—	—
82 x 180	2,440	S2440/L	—	●	—	—	—
92 x 180	2,440	S2440	—	—	●	●	—
96 x 180	2,440	S2440	—	—	—	—	●

4.2 Carriages

	CODE	FD100N	FD120N	FD135N	FD150N	FD160N
Shaft type						
Carriage shaft 2,200 mm For use with simplex mast.	SC22S	•	•	•	•	
Carriage shaft 2,400 mm For use with simplex mast.	SC24S	•	•	•	•	•

4.3 Sideshifter

	CODE	FD100N	FD120N	FD135N	FD150N	FD160N
Integral sideshifter – Shaft type						
Integral sideshifter shaft 2,200 mm	SS22S	•	•	•	•	
Integral sideshifter shaft 2,400 mm	SS24S	•	•	•	•	•

4.4 Fork positioner

	CODE	FD100N	FD120N	FD135N	FD150N	FD160N
Integral fork positioner (simultaneous control) - Shaft type						
Integral simultaneous fork positioner shaft type 2,200 mm	IFP22S	•	•	•	•	
Integral simultaneous fork positioner shaft type 2,400 mm	IFP24S	•	•	•	•	•
Integral fork positioner (independent control) - Shaft type						
Integral independent fork positioner shaft type 2,200 mm	ISIFP22IS	•	•	•	•	
Integral independent fork positioner shaft type 2,400 mm	ISIFP24IS	•	•	•	•	•
Integral sideshifting fork positioner (simultaneous control) - Shaft type						
Integral simultaneous sideshifting fork positioner shaft type 2,200 mm	ISSFP22S	•	•	•	•	
Integral simultaneous sideshifting fork positioner shaft type 2,400 mm	ISSFP24S	•	•	•	•	•

	CODE	FD100N	FD120N	FD135N	FD150N	FD160N
Integral sideshifting fork positioner (independent control) - Shaft type						
Integral independent sideshifting fork positioner shaft type 2,200 mm	ISSFP22IS	•	•	•	•	
Integral independent sideshifting fork positioner shaft type 2,400 mm	ISSFP24IS	•	•	•	•	•

5 Mast capacity charts

5.1 FD100N

MAST TYPE	h3 [mm]	h1 [mm]	h4 [mm]	h2/h5 [mm]	Tilt [deg]	PNEUMATIC 600 mm LC [kg]			
						FORKS	SIDESHIFTER	FORK POSITIONER	SIDESHIFTING POSITIONER
Simplex									
2SP300	3,072	3,087	4,486	72	15°F/12°B	10,000	9,600	10,000	9,600
2SP350	3,572	3,337	4,986	72	15°F/12°B	10,000	9,600	10,000	9,600
2SP370	3,772	3,437	5,186	72	15°F/12°B	10,000	9,600	10,000	9,600
2SP400	4,072	3,587	5,486	72	15°F/12°B	10,000	9,600	10,000	9,600
2SP450	4,572	3,837	5,986	72	15°F/12°B	10,000	9,600	10,000	9,600
2SP500	5,072	4,087	6,486	72	15°F/12°B	10,000	9,600	10,000	9,600
2SP550	5,572	4,337	6,986	72	15°F/12°B	10,000	9,600	10,000	9,600
2SP600	6,072	4,637	7,486	72	6°F/6°B	9,800	9,200	9,800	9,200
2SP660	6,672	4,640	7,640	72	6°F/6°B	9,400	9,000	9,400	9,000

5.2 FD120N

MAST TYPE	h3 [mm]	h1 [mm]	h4 [mm]	h2/h5 [mm]	Tilt [deg]	PNEUMATIC 600 mm LC [kg]			
						FORKS	SIDESHIFTER	FORK POSITIONER	SIDESHIFTING POSITIONER
Simplex									
2SP300	3,072	3,087	4,486	72	15°F/12°B	12,000	11,300	12,000	11,300
2SP350	3,572	3,337	4,986	72	15°F/12°B	12,000	11,300	12,000	11,300
2SP370	3,772	3,437	5,186	72	15°F/12°B	12,000	11,300	12,000	11,300
2SP400	4,072	3,587	5,486	72	15°F/12°B	12,000	11,300	12,000	11,300
2SP450	4,572	3,837	5,986	72	15°F/12°B	12,000	11,300	12,000	11,300
2SP500	5,072	4,087	6,486	72	15°F/12°B	12,000	11,300	12,000	11,300
2SP550	5,572	4,337	6,986	72	15°F/12°B	12,000	11,300	12,000	11,300
2SP600	6,072	4,637	7,486	72	6°F/6°B	11,800	11,000	11,800	11,000

2SP660	6,672	4,640	7,690	72	6°F/6°B	11,300	10,600	11,300	10,600
--------	-------	-------	-------	----	---------	--------	--------	--------	--------

5.3 FD135N

MAST TYPE	h3 [mm]	h1 [mm]	h4 [mm]	h2/h5 [mm]	Tilt [deg]	PNEUMATIC 600 mm LC [kg]			
						FORKS	SIDESHIFTER	FORK POSITIONER	SIDESHIFTING POSITIONER
Simplex									
2SP300	3,088	3,332	4,927	88	15°F/12°B	13,500	12,500	13,500	12,500
2SP350	3,588	3,632	5,427	88	15°F/12°B	13,500	12,500	13,500	12,500
2SP370	3,788	3,732	5,627	88	15°F/12°B	13,500	12,500	13,500	12,500
2SP400	4,088	3,882	5,927	88	15°F/12°B	13,500	12,500	13,500	12,500
2SP450	4,588	4,132	6,427	88	15°F/12°B	13,500	12,500	13,500	12,500
2SP500	5,088	4,382	6,927	88	15°F/12°B	13,500	12,500	13,500	12,500
2SP550	5,588	4,682	7,427	88	15°F/12°B	13,500	12,500	13,500	12,500
2SP600	6,088	4,932	7,927	88	6°F/6°B	13,300	12,100	13,300	12,100
2SP660	6,688	4,935	7,935	88	6°F/6°B	12,800	11,700	12,800	11,700

5.4 FD150N

MAST TYPE	h3 [mm]	h1 [mm]	h4 [mm]	h2/h5 [mm]	Tilt [deg]	PNEUMATIC 600 mm LC [kg]			
						FORKS	SIDESHIFTER	FORK POSITIONER	SIDESHIFTING POSITIONER
Simplex									
2SP300	3,088	3,332	4,927	88	15°F/12°B	15,000	13,800	15,000	13,800
2SP350	3,588	3,632	5,427	88	15°F/12°B	15,000	13,800	15,000	13,800
2SP370	3,788	3,732	5,627	88	15°F/12°B	15,000	13,800	15,000	13,800
2SP400	4,088	3,882	5,927	88	15°F/12°B	15,000	13,800	15,000	13,800
2SP450	4,588	4,132	6,427	88	15°F/12°B	15,000	13,800	15,000	13,800
2SP500	5,088	4,382	6,927	88	15°F/12°B	13,500	13,800	13,500	13,800
2SP550	5,588	4,682	7,427	88	15°F/12°B	15,000	13,800	15,000	13,800
2SP600	6,088	4,932	7,927	88	6°F/6°B	14,600	13,400	14,600	13,400

2SP660	6,688	4,935	7,935	88	6°F/6°B	14,200	12,000	14,200	12,000
--------	-------	-------	-------	----	---------	--------	--------	--------	--------

5.5 FD160N

MAST TYPE	h3 [mm]	h1 [mm]	h4 [mm]	h2/h5 [mm]	Tilt [deg]	PNEUMATIC 600 mm LC [kg]			
						FORKS	SIDESHIFTER	FORK POSITIONER	SIDESHIFTING POSITIONER
Simplex									
2SP300	3,092	3,530	4,927	92	15°F/12°B	16,000	14,600	16,000	14,600
2SP350	3,592	3,780	5,427	92	15° /12°B	16,000	14,600	16,000	14,600
2SP370	3,792	3,880	5,627	92	15°F/12°B	16,000	14,600	16,000	14,600
2SP400	4,092	4,030	5,927	92	15°F/12°B	16,000	14,600	16,000	14,600
2SP450	4,592	4,280	6,427	92	15°F/12°B	16,000	14,600	16,000	14,600
2SP500	5,092	4,530	6,927	92	15°F/12°B	16,000	14,600	16,000	14,600
2SP550	5,592	4,830	7,427	92	15°F/12°B	16,000	14,600	16,000	14,600
2SP600	6,092	5,080	7,585	92	6°F/6°B	15,800	14,500	15,800	14,600
2SP660	6,692	5,430	8,527	92	6°F/6°B	15,200	12,100	15,200	14,500



CEOM 1661 (10/14)
© 2014 MCFE
Printed in The Netherlands
All rights reserved.

mitforklift@mcf.nl

www.mitforklift.com

Mitsubishi Forklift Trucks® is a registered trademark of Mitsubishi Heavy Industries®, Inc. All brand or product names are or may be trademarks of, and are used to identify products and services of, their respective owners.

This document may only be used certified Mitsubishi Forklift Trucks dealers, and should not be given to any client or customer or other third party.

NOTE: Performance specifications may vary depending on standard manufacturing tolerances, vehicle condition, types of tyres, floor or surface conditions, applications or operating environment. Trucks may be shown with non-standard options. Specific performance requirements and locally available configurations should be discussed with your distributor of Mitsubishi forklift trucks. Mitsubishi follows a policy of continual product improvement. For this reason, some materials, options and specifications could change without notice.

Unauthorized copying and lending are prohibited.