

OPBL N– Series

Specification Manual • **Low Level Order pickers**
For 2nd level • **1.0 tonnes**

OPBL10N
OPBL10NF
OPBL10NV

1.	OPBL10N(F)(V) Standard Configuration	2
2.	Model performance specification	4
3.	Noise and vibration.....	4
4.	Forks and carriages.....	4
5.	Wheel availability.....	4
6.	Option availability	5
7.	Ground pressure	5

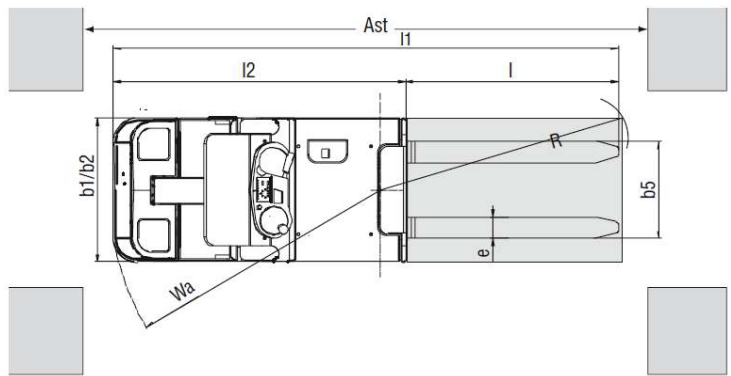
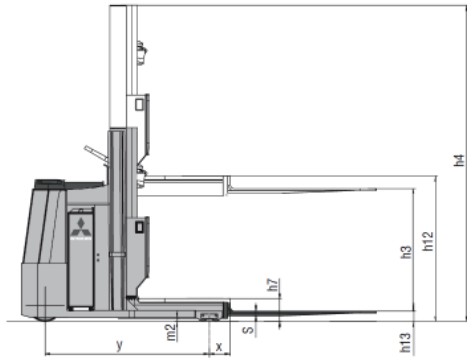


1. OPBL10N(F)(V) STANDARD CONFIGURATION

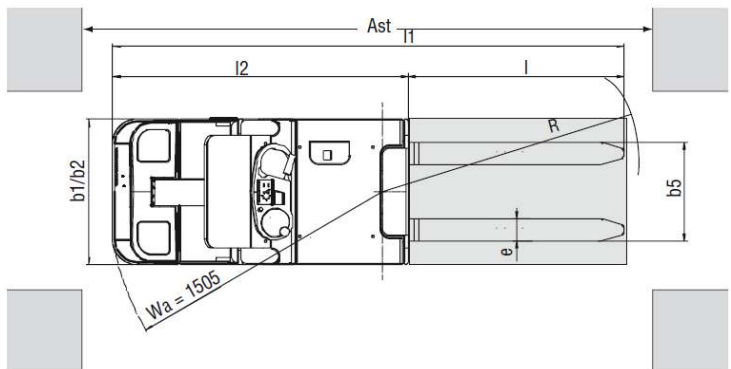
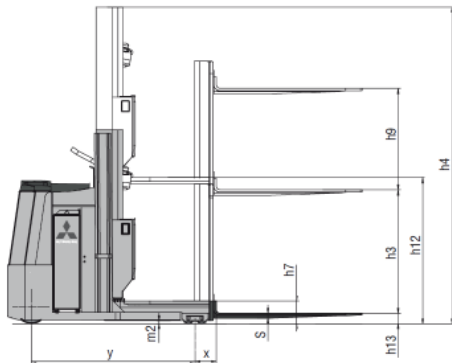
Driver recognition (PIN code) with driver specific settings, Walk-beside driving button both sides of backrest, Up / down button for forks both sides of backrest, Adjustable seat in backrest, Simplex mast 800mm, Dead man's pedal in platform, Unlimited 360 degree electric steering, Rollers for fast battery change, Control panel includes: Hour-meter / BDI, display driving direction and speed, fault diagnostics and working hours, Vulkollan wheels, OPBL10V: Variable Fork width (490 - 850 mm)

Characteristics					
1.01	Manufacturer (abbreviation)		Mitsubishi	Mitsubishi	Mitsubishi
1.02	Manufacturer's model designation		OPBL10N	OPBL10NF	OPBL10NV
1.03	Power source: (battery, diesel, LP gas, petrol)		Battery	Battery	Battery
1.04	Operator type: pedestrian, (operator)-standing, -seated		Stand-on	Stand-on	Stand-on
1.05	Load capacity	Q (kg)	1000	1000	1000
1.06	At load centre	c (mm)	600	600	600
1.08	Load wheel axle to fork face (forks lowered)	x (mm)	165	165	140
1.09	Wheelbase	y (mm)	1290	1290	1270
Weight					
2.01	Truck weight with nominal load & battery	kg	2530	2570	2570
2.03	Axle loadings without load & with battery, drive/load side	kg	630/900	675/895	675/895
Wheels, Drive Train					
3.01	Tyres: P=Polyurethan, PT=Power Thane, Vul=Vulkollan, drive/load side		Vul/Vul	Vul/Vul	Vul/Vul
3.02	Tyre dimensions, front		250x100	250x100	250x100
3.03	Tyre dimensions, rear		85x90	85x90	85x90
3.05	Number of wheels, front/rear (x=driven)		1x/4	1x/4	1x/4
3.06	Track width (centre of tyres), load side	b10 (mm)	672	672	672
3.07	Track width (centre of tyres), drive side	b11 (mm)	-	-	-
Dimensions					
4.02	Height with mast lowered (see tables)	h1 (mm)	1550	1550	1550
4.03	Free lift (see tables)	h2 (mm)	-	-	-
4.05	Overall height with mast raised	h4 (mm)	2460	2460	2460
4.08	Seat height or platform height	h7 (mm)	180	180	180
4.11	Supplementary lift	h9 (mm)	-	790	-
4.14	Height of the driver's platform	h12 (mm)	1150	1150	1150
4.15	Fork height, fully lowered	h13 (mm)	80	80	80
4.19	Overall length	l1 (mm)	2795	2795	2795
4.20	Length to fork face (includes fork thickness)	l2 (mm)	1645	1645	1615
4.21	Overall width	b1/b2 (mm)	800	800	1200
4.22	Fork dimensions (thickness, width, length)	s / e / l (mm)	40/120/1150	40/120/1150	60/165/1150
4.25	Outside width over forks (minimum/maximum)	b5 (mm)	540	540	490-850
4.32	Ground clearance at centre of wheelbase, with load (forks lowered)	m2 (mm)	30	30	30
4.33a	Working aisle width (Ast) with 1000 x 1200 mm pallets, load crosswise	Ast (mm)	3040	3040	3018
4.33b	Working aisle width (Ast3) with 1000 x 1200 mm pallets, load crosswise	Ast3 (mm)	2895	2895	2870
4.34a	Working aisle width (Ast) with 800 x 1200 mm pallets, load lengthwise	Ast (mm)	3152	3152	3133
4.34b	Working aisle width (Ast3) with 800 x 1200 mm pallets, load lengthwise	Ast3 (mm)	3095	3095	3075
4.35	Turning circle radius	Wa (mm)	1530	1530	1530
Performance					
5.01	Travel speed, with/without load	km/h	9/9	9/9	9/9
5.02	Lifting speed, with/without load	m/s	0.14/ 0.19	0.14/ 0.19	0.14/ 0.19
5.03	Lowering speed, with/without load	m/s	0.15/ 0.26	0.15/ 0.26	0.15/ 0.26
5.07	Gradeability, with/without load	%	5/15	5/15	5/15
5.10	Service brakes (mechanical/hydraulic/electric/pneumatic)		Electric	Electric	Electric
Electric motors					
6.01	Drive motor capacity (60 min. short duty)	kW	2.2	2.2	2.2
6.02	Lift motor output at 15% duty factor	kW	3.0	3.0	3.0
6.04	Battery voltage/capacity at 5-hour discharge	V /Ah	24/375-465	24/ 375-465	24/375-465
6.05	Battery weight	kg	280-360	280-360	280-360
Miscellaneous					
8.01	Type of drive control		Stepless	Stepless	Stepless
8.04	Noise level, mean value at operator's ear	dB(A)	64	64	64

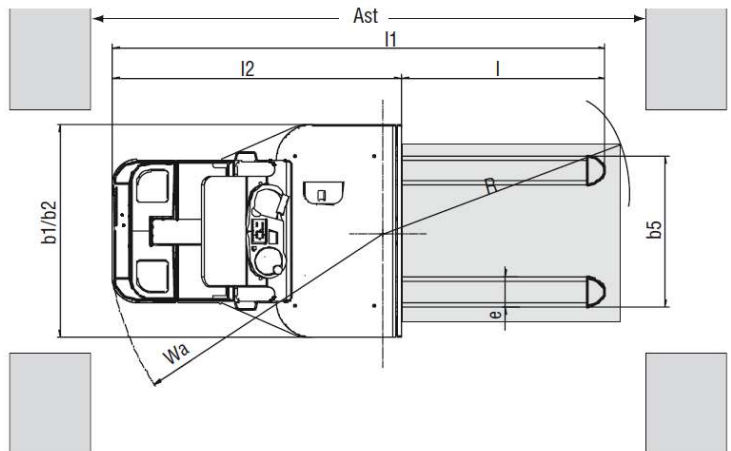
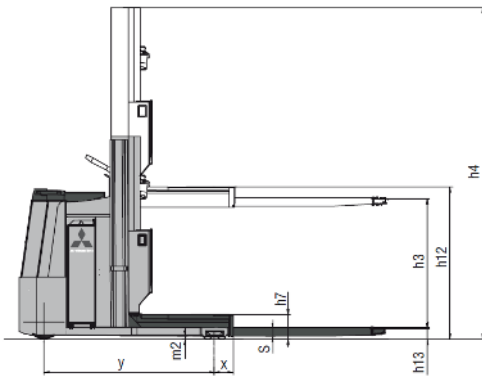
OPBL10N: basic model



OPBL10NF: with rising forks



OPBL10NV: with manual fork positioning



- Ast = Wa + R + a
- Ast = Cross aisle width
- Wa = Turning radius
- a = Safety clearance = 2 x 100 mm
- $R = \sqrt{(l6 + x)^2 + (b12 / 2)^2}$

3-4

2. MODEL PERFORMANCE SPECIFICATION

Model	Drive motor kW	Lift Motor kW	Drive Speed kmh	Battery Ah
L10N	2,2	3,0	9/9	375,465
L10NF	2,2	3,0	9/9	375,465
L10NV	2,2	3,0	9/9	375,465

3. NOISE AND VIBRATION

Level of noise at ear level of driver acc. to EN12053 2001 and EN ISO 4871

Model	In work, LpA (dB A)	Drive/lift/idle (dB A)
NOL10N	64	65 / 75 / 57
NOL10NF	64	65 / 75 / 57
NOL10NV	64	65 / 75 / 57

Vibration Level acc. to EN13059 2002

Model	Whole body vibration (m/s ²)	Hand-arm vibration (m/s ²)
NOL10N	1,0	< 2,5
NOL10NF	1,0	< 2,5
NOL10NV	1,0	< 2,5

3-4

4. FORKS AND CARRIAGES

Fork length (mm)	CODE	Note	L10N	L10NF	L10NV
800	L800		•	•	•
950	L950		•	•	•
1150	L1150		o	o	o
1550	L1550		•	•	•
800-1600	LXXX	1) 2)	-	•	-

1) specify on order

2) only in combination with F/WXXA /XXB

Fork width (mm)	CODE	L10N	L10NF	L10NV
480	F/W480	•	•	-
520	F/W520	•	•	-
540	F/W540	o	o	-
680	F/W680	•	•	-
490-850	F/WXXX	-	-	•
480-539	F/WXXA	•	•	-
540-680	F/WXXB	•	•	-

5. WHEEL AVAILABILITY

Wheel type	CODE	L10N	L10NF	L10NV
Drive, Vulkollan	VUL/DW	o	o	o
Drive, Power Friction	PF/DW	•	•	•

Legenda:	
o	Standard
•	Option
-	Not available
E	Extended lead time

6. OPTION AVAILABILITY

	CODE	Note	L10N	L10NF	L10NV
Outlook					
Special color for frame and fork carriage	SP/COLOR	1)	•	•	•
Other Options					
Key switch	KEY SWITCH	2)	•	•	•
General Accessories					
Rubber bumper	RUB/B		•	•	•
Power supply 12V / 8A	DC096W		•	•	•
Power Supply Accessories					
Battery changing device for 2 batteries with brakes	BCT/BR	3)	•	•	•
Battery connector and cables	SB24B		•	•	•
Charger connector	SB24C		•	•	•

- 1) Please state RAL code
 2) Replaces PIN code
 3) Not icw RUB/B

7. GROUND PRESSURE

		With load [kg/cm ²]	Without load [kg/cm ²]
L10N	Front (drive)	-	48
	Rear (load)	-	36
L10NF	Front (drive)	-	47
	Rear (load)	-	37
L10NV	Front (drive)	-	47
	Rear (load)	-	37

3-4

Legenda:	
o	Standard
•	Option
-	Not available
E	Extended lead time

3-4