

PBP16-20N2 Series

Specification • Pedestrian
Manual Power • 1.6 - 2.0
Pallet Trucks tonnes

PBP16N2
PBP18N2
PBP20N2
PBP20N2R
PBP20N2E

1.	PBP16-20N2 (R) (E) Standard configuration	2
2.	Model performance specification	6
3.	Noise and vibration	6
4.	Forks and carriages	6
5.	Wheel availability	7
6.	Option availability	7
7.	Charger availability	8
8.	Ground pressure	8



1. PBP16-20N2 (R) (E) STANDARD CONFIGURATION

Vulkollan wheels, Tiller arm lock by-pass and creep speed button, LED battery discharge indicator,,2 drive speeds through key switch.

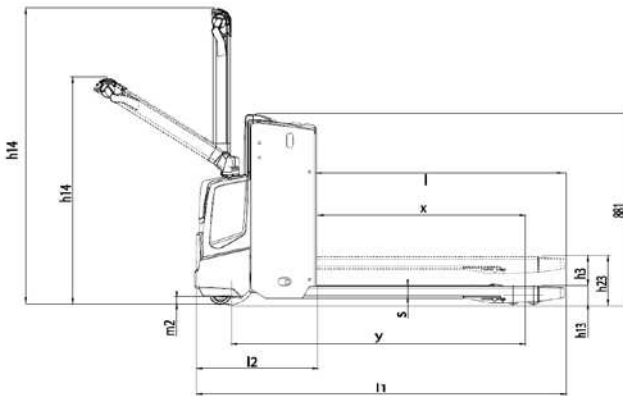
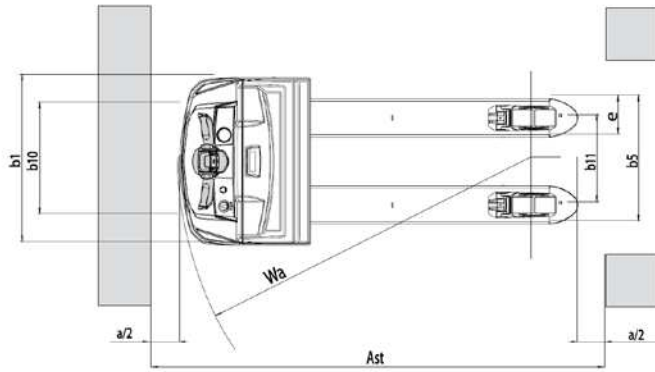
1-1

Characteristics				
1.1	Manufacturer (abbreviation)		Mitsubishi	Mitsubishi
1.2	Manufacturer's model designation		PBP16N2	PBP18N2
1.3	Power source (battery, diesel, LP gas, petrol)		Battery	Battery
1.4	Operator type: pedestrian, (operator)-standing, -seated	Q (kg)	Pedestrian	Pedestrian
1.5	Load capacity	c (mm)	1600	1800
1.6	Load centre distance	x (mm)	600	600
1.8	Load wheel axle to fork face (forks lowered)	y (mm)	960	960
1.9	Wheelbase		1360	1424
Weight				
2.1	Truck weight with maximum battery weight	(kg)	431	502
2.2	Axle loadings with nominal load & maximum battery weight, drive/load side	(kg)	635 / 1396	806 / 1496
2.3	Axle loadings without load & with maximum battery weight, drive/load side		332 / 99	381 / 121
Wheels, Drive Train				
3.1	Tyres: PT=Power Thane, Vul=Vulkollan, drive/load side	(mm)	Vul/Vul	Vul/Vul
3.2	Tyre dimensions, drive side	(mm)	85 × 90	85 × 75
3.3	Tyre dimensions, load side	(mm)	230 × 70	230 × 70
3.4	Castor wheel dimensions (diameter x width)		100 × 40	100 × 40
3.5	Number of the wheels drive/load side (x=driven)	b10 (mm)	2+1x /2	2+1x /4
3.6	Track width (centre of tyres), drive side	b11 (mm)	480	480
3.7	Track width (centre of tyres), load side		355 / 375 / 495	355 / 375 / 495
Dimensions				
4.4	Lift height	b3 (mm)	135	135
4.8	Seat- or stand height	(mm)	-	-
4.9	Height of tiller arm / steering console (min/max)	h14 (mm)	1050 / 1372	1050 / 1372
4.15	Fork height, fully lowered	h13 (mm)	85	85
4.19	Overall length, platform up/down	l1 (mm)	1648	1712
4.20	Length to fork face, platform up/down	l2 (mm)	498	562
4.21	Overall width	b1/b2 (mm)	720	720
4.22	Fork dimensions (thickness,width,length)	s/e/l (mm)	55 / 165 / 1150	55 / 165 / 1150
4.25	Outside width over forks	b5 (mm)	520 / 540 / 660	520 / 540 / 660
4.32	Ground clearance, center of wheelbase (forks lowered)	m2 (mm)	30	30
4.33	Working aisle width (Ast) with 1000 x1200 mm pallet, load crosswise, platform up/down	Ast (mm)	1694	1758
4.34	Working aisle width (Ast) with 800 x1200 mm pallet,load lengthwise, platform up/down	Ast (mm)	1894	1958
4.35	Turning circle radius	Wa (mm)	1454	1518
Performance				
5.1	Travel speed, with/without load	(km/h)	6.0 / 6.0	6.0 / 6.0
5.2	Lifting speed, with/without load	(m/s)	0.034 / 0.043	0.034 / 0.043
5.3	Lowering speed, with/without load	(m/s)	0.099 / 0.076	0.099 / 0.076
5.7	Gradeability, with/without load	(%)	10.0 / 20.0	10.0 / 20.0
5.10	Service brakes (mechanical/hydraulic/electric/pneumatic)		Electric	Electric
Electric motors				
6.1	Drive motor capacity (60 min. short duty)	(kW)	1.0	1.0
6.2	Lift motor output at 15% duty factor	(kW)	0.8	0.8
6.4	Battery voltage/capacity at 5-hour discharge	(V/Ah)	24 / 150	24 / 250
6.5	Battery weight	(kg)	151	212
Miscellaneous				
8.1	Type of drive control		Stepless	Stepless
8.4 ⁽¹⁾	Noise level, mean value at operator's ear (EN 12 053), drive/lift/idle	(dB (A))	62 / 69 / 0	62 / 69 / 0
	Whole-body vibration (EN 13 059)	(m/s ²)	-	-
	Hand-arm vibration (EN 13 059)		< 2.5	< 2.5

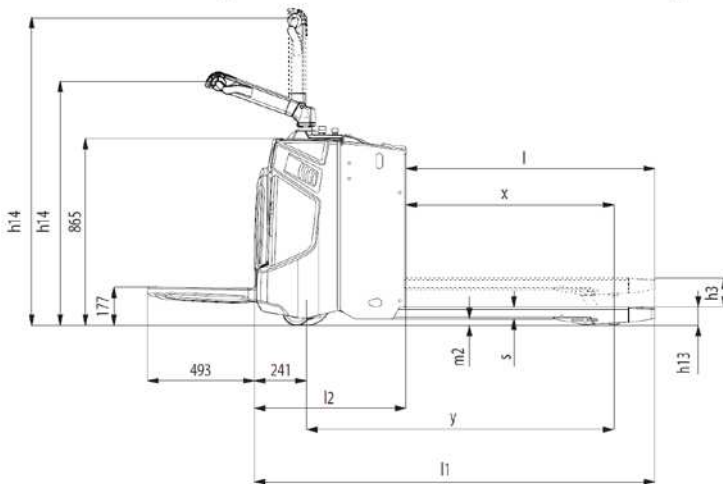
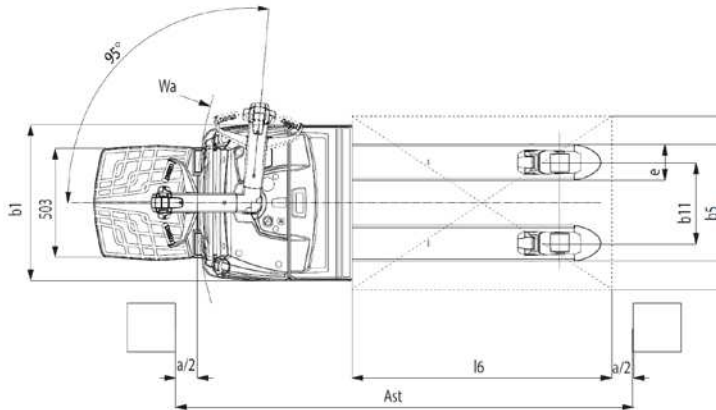
Mitsubishi	Mitsubishi	Mitsubishi
PBP20N2	PBP20N2R	PBP20N2E
Battery	Battery	Battery
Pedestrian	Foldable platform	Pedestrian
2000	2000	2000 / 700
600	600	600
960	961	852
1424	1433	1509
634	595	579
864 / 1770	890 / 1705	770 / 1809
475 / 159	470 / 125	419 / 160
Vul/Vul	Vul/Vul	Vul/Vul
85 × 75	85 × 75	85 × 75
230 × 70	230 × 70	230 × 70
100 × 40	125 × 55	100 × 40
2+1x /4	2+1x /4	2+1x /4
480	480	480
355 / 375 / 495	375	375
135	135	135 / 735
-		
1050 / 1372	1180 / 1350	1050 / 1372
85	85	85
1712	1864 / 2356	1780
562	711 / 1206	653
720	720	720
55 / 165 / 1150	50 / 165 / 1150	50 / 195 / 1150
520 / 540 / 660	540	540 / 570
30	30	30
1758	2426 / 2921	1874
1958	2338 / 2833	2074
1518	1672 / 2167	1526
6.0 / 6.0	6.0 / 6.0	6.0 / 6.0
0.039 / 0.06	0.039 / 0.06	0.11 / 0.14
0.099 / 0.078	0.099 / 0.076	0.13 / 0.12
10.0 / 20.0	9 / 25	10.0 / 20.0
Electric	Electric	Electric
1.0	1.0	1.0
1.2	1.2	1.2
24 / 250-375	24 / 250-375	24 / 150
212-294	212-294	151
Stepless	Stepless	Stepless
65 / 67 / 0	70 / 68 / 68	59 / 60 / 0
-	0.83	-
< 2.5	< 2.5	< 2.5

PBP16/18/20N2

1-1

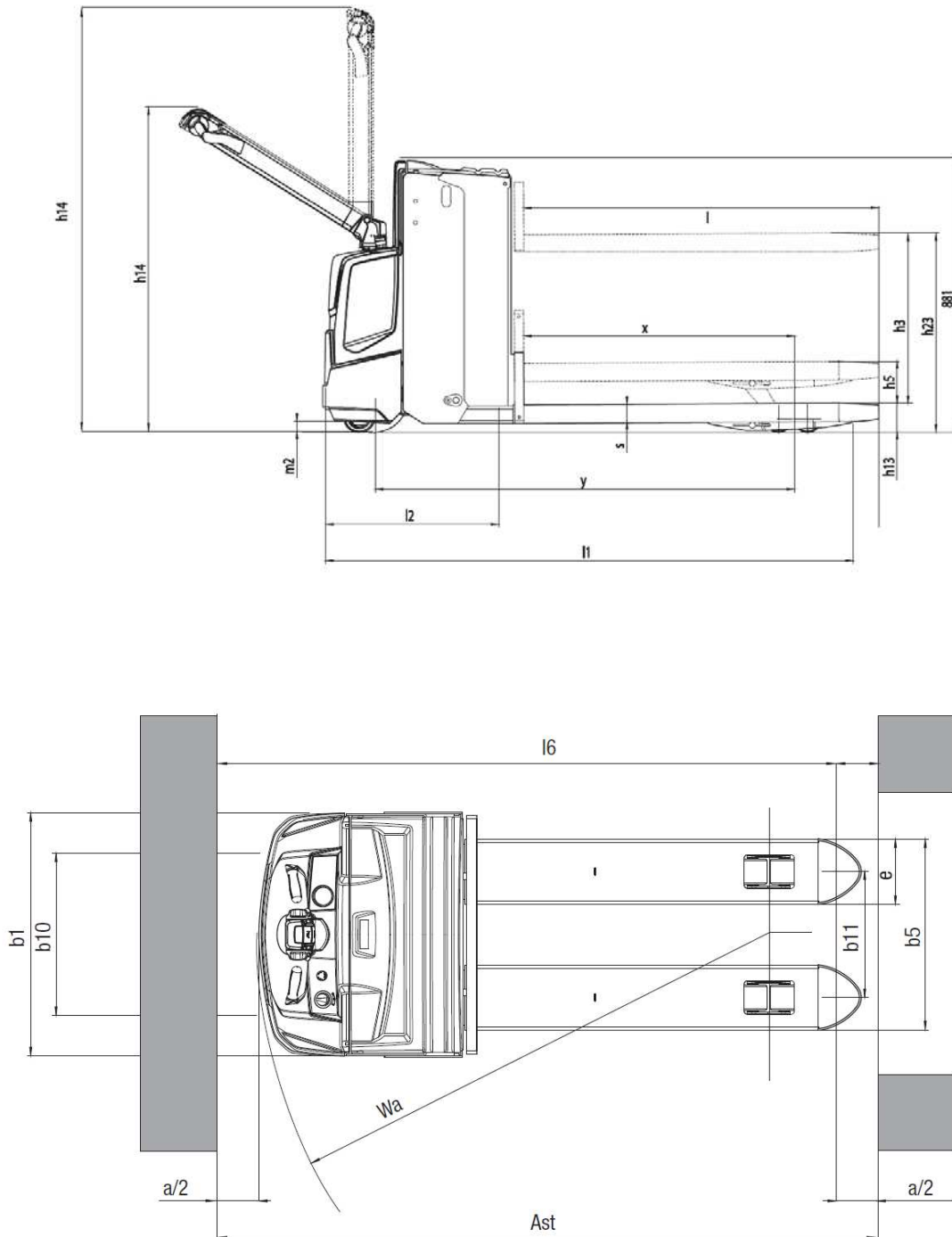


PBP20N2R: with folding platform



PBP20N2E: with rising forks

1-1



$Ast = Wa - x + l6 + a$
 $a = \text{Safety clearance (200 mm)}$
 $l6 = \text{Pallet length}$

1-1

2. MODEL PERFORMANCE SPECIFICATION

Model	Drive motor (kW)	Lift Motor (kW)	Drive Speed (km/h)	Lift Speed with/w.o. (m/sec)	Lowering Speed with/w.o. (m/sec)	Battery (Ah)
P16N2	1,0	0,8	6,0 / 6,0	0,035 / 0,045	0,05 / 0,05	150
P18N2	1,0	0,8	6,0 / 6,0	0,035 / 0,045	0,05 / 0,05	250
P20N2	1,0	1,2	6,0 / 6,0	0,04 / 0,06	0,05 / 0,05	250-375
P20N2R	1,0	1,2	6,0 / 6,0	0,03 / 0,05	0,07 / 0,08	250-375
P20N2E	1,0	1,2	6,0 / 6,0	0,11 / 0,14	0,13 / 0,12	150

3. NOISE AND VIBRATION

Level of noise at ear level
of driver acc. to EN12053
2001 and EN ISO 4871

Vibration Level acc.
to EN13059 2002

Model	In work, LpA (dB A)	Drive/lift/idle (dB A)
P16N2	61	62 / 69 / 0
P18N2	61	62 / 69 / 0
P20N2	61	65 / 67 / 0
P20N2R	61	63 / 78 / 0
P20N2E	61	59 / 60 / 0

Model	Whole body vibration (m/s ²)	Hand- arm vibration (m/s ²)
P16N2	-	< 2,5
P18N2	-	< 2,5
P20N2	-	< 2,5
P20N2R	0,9	< 2,5
P20N2E	-	< 2,5

4. FORKS AND CARRIAGES

FORKS width x length	x = (mm)	PBP16N2	PBP18N2	PBP20N2	PBP20N2R	BPP20N2E	CODE
540mm x 1150mm	960	0	0	0	0	0	F540x1150
660mm x 1000 mm	810	•	•	•	•	-	F660x1000
540mm x 2350 mm	1710	•	•	•	•	-	F540x2350
520mm x 1150 mm	960	•	•	•	•	-	F520x1150
520mm x 1450 mm	960	•	•	•	•	-	F520x1450
520mm x 2350 mm	1710	•	•	•	•	-	F520x2350
570mm x 1150mm	960	-	-	-	-	•	F570x2350
480mm - 660mm x 1000mm - 2350 mm *		•	•	•	•	-	FXXLXXX

* Please specify width&lenght on order.

* Fork length 1000-1149mm; x=810mm
1150-1450mm; x=960mm
1451-1899mm; x=1260mm
1900-2350mm; x=1710mm

5. WHEEL AVAILABILITY

Wheel type	CODE	PBP16N2	PBP18N2	PBP20N2	PBP20N2 R	PBP20N2 E
Single Load Wheels, Vulkollan	SING/LW	o	•	•	•	•
Tandem Load Wheels, Vulkollan	TD/LW	•	o	o	o	o
Drive Wheel, Power Friction	FF/DW	•	•	•	•	•
Drive Wheel, Vulkollan	VUL/DW	o	o	o	o	o

6. OPTION AVAILABILITY

OPTIONS	PBP16N2	PBP18N2	PBP20N2	PBP20N2R	PBP20N2E	CODE
Cold store modification, class III >-35 C	•	•	•	•	•	MODCS
Warm operating condition modification (>30 C)	TBA	TBA	TBA	-	TBA	MODHS
Special color - labels (Please state RAL-code on order)	•	•	•	•	•	SP/COLOR
Design covers (Label, High resolution file needed)	•	•	•	•	•	DSG/COV
Fingertip levers on tiller arm, lift&lowering	•	•	•	•	•	BIG/LVR
Quick battery changing, 250 Ah & 375 Ah incl. Battery bed rollers, battery locking and lock sensor	-	•	•	•	-	QBC
Battery changing device, 2pcs (for use with Hand Pallet Truck)	-	•	•	•	-	BCT/BR
PIN code unit	•	•	•	•	•	PIN
Pallet entry and exit rollers	1)	•	•	•	•	PEPR
Load backrest	•	•	•	•	•	BACKREST
Working light (LED)	•	•	•	•	•	WORK/L
Accessory rack, h = 1300 mm, w = 720 mm	-	•	•	•	•	BAR
List bracket, A4 size	•	•	•	•	•	LBA4
Computer rack	•	•	•	•	•	PCS
Bottleholder	•	•	•	•	•	BTL/HOLD
Penholder	•	•	•	•	•	PEN/HOLD
Silent version (wheels, pump on dampers etc)	TBA	TBA	TBA	-	-	
Current output, 12 V / 12,5 A	•	•	•	•	•	DC150W
High ground clearance, 70 mm	•	•	•	-	•	GRC70
Multifunctional display, incl. hourmeter and BDI	•	•	•	o	•	DISPLAY

Note:

1) Only with fork length 1000mm, 1150mm

Legenda:

- o Standard
- Option
- Not available
- E Extended lead time

7. CHARGER AVAILABILITY

	CODE	Note	PBP16N2	PBP18N2	PBP20N2	PBP20N2 R	PBP20N2 E
Battery space for 150Ah battery BS	STD/PACK		0	-	-	-	0
Battery space for 250Ah battery DIN	STD/PACK		•	0	0	0	-
Battery space for 375 Ah battery DIN	BC375		-	-	•	•	-
Larger battery capacity (250 -->375Ah)	STD/PACK/L		-	-	•	•	-
Battery deletion (truck without standard battery)	NO/PACK		•	•	•	•	•
In-built charger 30A, 230V	CH30 INT		•	•	•	-	•
EUR plug for inbuilt charger	EURPLUG		•	•	•	-	•
UK plug for inbuilt charger	UKPLUG		•	•	•	-	•
Swiss plug for inbuilt charger	SWPLUG		•	•	•	-	•
DK plug for inbuilt charger	DKPLUG		•	•	•	-	•
Battery connector and cable	DIN24B		•	•	•	•	•
Charger connector	DIN24C		•	•	•	•	•

8. GROUND PRESSURE

		With load [kg/cm ²]	Without load [kg/cm ²]
P16N2	Front (drive)	41	29
	Rear (load)	76	20
P18N2	Front (drive)	46	32
	Rear (load)	61	17
P20N2	Front (drive)	48	35
	Rear (load)	66	20
P20N2R	Front (drive)	43	31
	Rear (load)	65	18
P20N2E	Front (drive)	45	33
	Rear (load)	67	20