

SPECIFICATION

FB13-20(C)PNT
FB16-20(C)PN



Contents

1	Standard configuration	4
1.1	FB13-20(C)PNT	4
1.2	FB16-20(C)PN	11
2	Energy consumption, noise, vibration	15
2.1	Energy consumption (according to VDI2198)	15
2.2	Noise at operator's ear	15
2.3	Vibration (EN13059).....	15
3	Mast availability chart	16
4	Option availability chart.....	18
4.1	Carriages.....	18
4.2	Hydraulic valves	18
4.3	Piping for hydraulics.....	19
4.4	Electric system	20
4.5	Tires	20
4.6	Frame and body	21
4.7	Cabins	22
4.8	Special treatment	23
4.9	Others	23
5	Forks and carriages	24
5.1	Forks	24
5.2	Carriages.....	25
6	Wheels	26
7	Overhead guard options	27
8	Ground pressure	28
9	Battery dimensions	29
10	Battery and charger combination	30
11	Mast capacity charts	32
11.1	13PNT	32
11.2	15PNT	33
11.3	16CPNT	34
11.4	18CPNT	35
11.5	16PNT	36
11.6	18PNT	37
11.7	20PNT	38
11.8	16CPN.....	39

11.9	18CPN.....	40
11.10	16PN	41
11.11	18PN	42
11.12	20PN	43

1 Standard configuration



1.1 FB13-20(C)PNT

- 3-wheel chassis, 48 Volts, front-wheel drive
- MicroCommand AC control system,
- Two 4.5 kW AC traction motors,
- 11.5 kW AC hydraulic motor,
- Steer-by-wire and Electronic Power Steering
- Audible Backup Alarm
- Pneumatic shaped solid tires (Super Elastic)
- Full-suspension Vinyl Seat,
- Wet Disk Brakes
- Presence Detection System (PDS+) with automatic parking brake
- Tilttable steering column
- Armrest Mounted Fingertip Hydraulic Control,
- 3-way hydraulic valve
- LED Work lights (2 front and 1 rear)
- Reverse drive handle with horn button
- DIN battery connector (on frame side)

Truck models FB13PNT, FB15PNT, FB16CPNT and FB18CPNT:

1		IDENTIFICATION				
1.1	Manufacturer		Mitsubishi	Mitsubishi	Mitsubishi	Mitsubishi
1.2	Manufacturer's type designation		FB13PNT	FB15PNT	FB16CPNT	FB18CPNT
1.3	Drive		Electric	Electric	Electric	Electric
1.4	Operator type		Seated	Seated	Seated	Seated
1.5	Rated capacity / rated load	Q [kg]	1,300	1,500	1,600	1,800
1.6	Load center distance	c [mm]	500	500	500	500
1.8	Load distance, axle to fork face	x [mm]	373	373	373	373
1.9	Wheel base	y [mm]	1,285	1,285	1,395	1,395
2		WEIGHTS				
2.1	Truck weight, without load / including battery (simplex mast, lowest lifting height)	[kg]	2,785	2,980	3,040	3,140



2.2	Axle loading with maximum load, front/rear (simplex mast, lowest lifting height)	[kg]	3,585/500	3,915/565	4,070/570	4,395/545
2.3	Axle loading without load front/rear (simplex mast, lowest lifting height)	[kg]	1,400/1,385	1,395/1,585	1,470/1,570	1,470/1,670
3	WHEELS AND TYRES					
3.1	Tyres, material (V=solid, L=pneumatic, SE=solid pneumatic - front/rear)		SE/SE	SE/SE	SE/SE	SE/SE
3.2	Tyre size, front	[mm]	18x7-8	18x7-8	18x7-8	18x7-8
3.3	Tyre size, rear	[mm]	140/55-9	140/55-9	140/55-9	140/55-9
3.5	Wheels, number front / rear (x = driven wheels)		2x/2	2x/2	2x/2	2x/2
3.6	Track width, centre of tyres, front	b10 [mm]	920	920	920	920
3.7	Track width, centre of tyres, rear	b11 [mm]	174	174	174	174
4	DIMENSIONS					
4.1	Tilt of fork carriage, forward / backward	[α/β]	5 / 7.5	5 / 7.5	5 / 7.5	5 / 7.5
4.2	Height, mast lowered	h1 [mm]	2,125	2,125	2,125	2,125
4.3	Free lift	h2 [mm]	80	80	80	80
4.4	Lift	h3 [mm]	3,290	3,290	3,290	3,290
4.5	Height, mast extended	h4 [mm]	4,335	4,335	4,335	4,335
4.7	Height of overhead guard	h6 [mm]	2,050	2,050	2,050	2,050
4.8	Seat height	h7 [mm]	974	974	974	974
4.10	Tow coupling height	h10 [mm]	575	575	575	575
4.19	Overall length	l1 [mm]	2,998	2,998	3,108	3,108
4.20	Length to face of forks (includes fork thickness)	l2 [mm]	1,848	1,848	1,958	1,958
4.21	Overall width	b1/b2 [mm]	1,090	1,090	1,090	1,090
4.22	Fork dimensions (thickness, width, length)	s/e/l [mm]	35x100x1,150	35x100x1,150	35x100x1,150	35x100x1,150
4.23	Fork carriage DIN 15 173 A/B/no		2A	2A	2A	2A
4.24	Fork carriage width	b3 [mm]	920	920	920	920
4.31	Ground clearance under mast, with load	m1 [mm]	95	95	95	95
4.32	Ground clearance, center of wheel base, with load, forks lowered	m2 [mm]	85	85	85	85
4.33	Working aisle width with 1,000x1,200 pallets, crosswise	Ast [mm]	3,173	3,173	3,283	3,283
4.34	Working aisle width with 800x1,200 pallets, crosswise	Ast [mm]	2,993	2,993	3,103	3,103

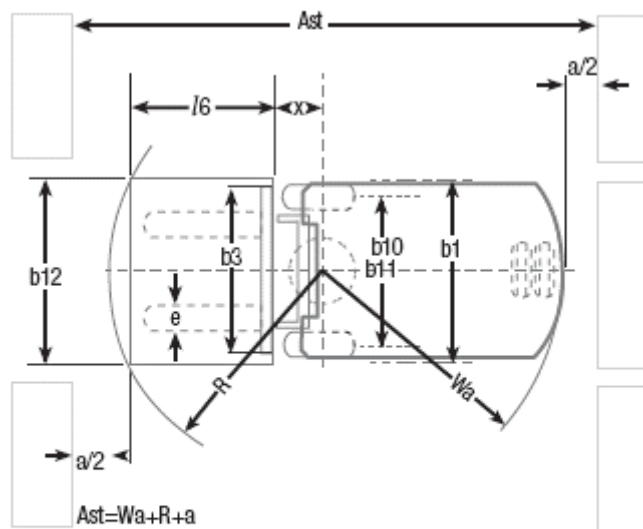
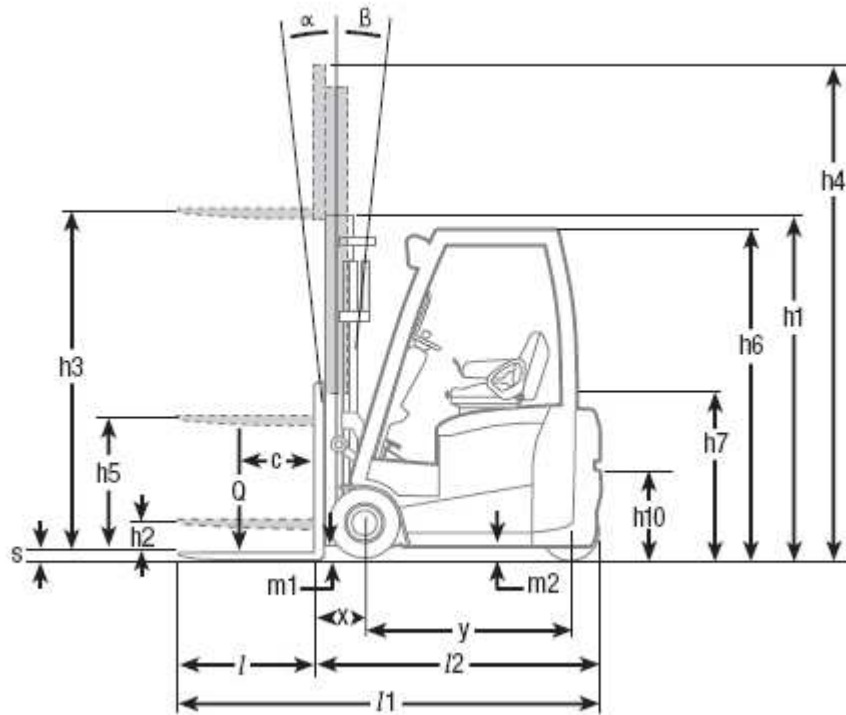
4.35	Turning circle radius	Wa [mm]	1,475	1,475	1,585	1,585
4.36	Minimum distance between canters of rotation	b13 [mm]	0	0	0	0
5	PERFORMANCE					
5.1	Travel speed, laden / unladen	[km/h]	16 / 16	16 / 16	16 / 16	16 / 16
5.2	Lift speed, laden / unladen	[m/s]	0.5/0.6	0.5/0.6	0.5/0.6	0.44/0.6
5.3	Lowering speed, laden / unladen	[m/s]	0.52/0.5	0.52/0.5	0.52/0.5	0.52/0.5
5.5	Rated drawbar pull with/without load	[N]	2,810/3,130	2,720/3,090	2,680/3,070	2,610/3,050
5.6	Maximum drawbar pull, with/without load (5 min short duty)	[N]	11,390/11,710	11,290/11,660	12,020/12,410	11,950/12,390
5.7	Gradeability with/without load	[%]	11/18	10/16	11/16	9/15
5.8	Maximum gradeability, with/without load	[%]	28/35	26/35	27/35	25/35
5.9	Acceleration time (10 m) with/without load	[s]	4.1/3.6	4.2/3.7	4.3/3.7	4.3/3.8
5.10	Service brake		Mech./hydr.	Mech./hydr.	Mech./hydr.	Mech./hydr.
6	MOTORS					
6.1	Traction motor capacity (60 min. short duty)	[kW]	4.5x2	4.5x2	4.5x2	4.5x2
6.2	Lift motor output at 15% duty factor	[kW]	11.5	11.5	11.5	11.5
6.3	Battery to DIN 43531/35/36 A/B/C/no		DIN 43531 A	DIN 43531 A	DIN 43531 A	DIN 43531 A
6.4	Battery voltage / nominal capacity (5 h)	[V/Ah]	48 V/500 Ah	48 V/500 Ah	48 V/625 Ah	48 V/625 Ah
6.5	Battery weight	[kg]	715	715	855	855
6.6	Energy consumption according to VDI 60 cycle	[kWH/h]	-	-	-	-
8	OTHER					
8.1	Type of drive control		AC transistor	AC transistor	AC transistor	AC transistor
8.2	Maximum operating pressure for attachments	[bar]	181	181	181	181
8.3	Oil flow for attachments	[l/min]	-	-	-	-
8.4	Noise level, value at operator's ear (EN 12053)	[dB(A)]	66	66	66	66
8.5	Towing coupling design / DIN type, ref.		15170/H	15170/H	15170/H	15170/H
Manufacturer reserves the right to make technical changes.					 	

Truck models *FB16PNT, FB18PNT and FB20PNT*:

1 IDENTIFICATION					
1.1	Manufacturer		Mitsubishi	Mitsubishi	Mitsubishi
1.2	Manufacturer's type designation		FB16PNT	FB18PNT	FB20PNT
1.3	Drive		Electric	Electric	Electric
1.4	Operator type		Seated	Seated	Seated
1.5	Rated capacity / rated load	Q [kg]	1,600	1,800	2,000
1.6	Load center distance	c [mm]	500	500	500
1.8	Load distance, axle to fork face	x [mm]	373	373	384
1.9	Wheel base	y [mm]	1,505	1,505	1,505
2 WEIGHTS					
2.1	Truck weight, without load / including battery (simplex mast, lowest lifting height)	[kg]	3,140	3,235	3,465
2.2	Axle loading with maximum load, front/rear (simplex mast, lowest lifting height)	[kg]	4,085/655	4,400/635	4,775/690
2.3	Axle loading without load front/rear (simplex mast, lowest lifting height)	[kg]	1,555/1,585	1,555/1,680	1,600/1,865
3 WHEELS AND TYRES					
3.1	Tyres, material (V=solid, L=pneumatic, SE=solid pneumatic - front/rear)		SE/SE	SE/SE	SE/SE
3.2	Tyre size, front	[mm]	18x7-8	18x7-8	200/50-10
3.3	Tyre size, rear	[mm]	140/55-9	140/55-9	140/55-9
3.5	Wheels, number front / rear (x = driven wheels)		2x/2	2x/2	2x/2
3.6	Track width, centre of tyres, front	b10 [mm]	920	920	938
3.7	Track width, centre of tyres, rear	b11 [mm]	174	174	174
4 DIMENSIONS					
4.1	Tilt of fork carriage, forward / backward	[α/β]	5 / 7.5	5 / 7.5	5 / 7.5
4.2	Height, mast lowered	h1 [mm]	2,125	2,125	2,125
4.3	Free lift	h2 [mm]	80	80	80
4.4	Lift	h3 [mm]	3,290	3,290	3,290
4.5	Height, mast extended	h4 [mm]	4,335	4,335	4,335
4.7	Height of overhead guard	h6 [mm]	2,050	2,050	2,050
4.8	Seat height	h7 [mm]	974	974	974
4.10	Tow coupling height	h10 [mm]	575	575	575
4.19	Overall length	l1 [mm]	3,218	3,218	3,229

4.20	Length to face of forks (includes fork thickness)	l2 [mm]	2,068	2,068	2,079
4.21	Overall width	b1/b2 [mm]	1,090	1,090	1,140
4.22	Fork dimensions (thickness, width, length)	s/e/l [mm]	35x100x1,150	35x100x1,150	35x100x1,150
4.23	Fork carriage DIN 15 173 A/B/no		2A	2A	2A
4.24	Fork carriage width	b3 [mm]	920	920	920
4.31	Ground clearance under mast, with load	m1 [mm]	95	95	95
4.32	Ground clearance, center of wheel base, with load, forks lowered	m2 [mm]	85	85	85
4.33	Working aisle width with 1,000x1,200 pallets, crosswise	Ast [mm]	3,393	3,393	3,403
4.34	Working aisle width with 800x1,200 pallets, crosswise	Ast [mm]	3,213	3,213	3,222
4.35	Turning circle radius	Wa [mm]	1,695	1,695	1,695
4.36	Minimum distance between canters of rotation	b13 [mm]	0	0	0
5	PERFORMANCE				
5.1	Travel speed, laden / unladen	[km/h]	16 / 16	16 / 16	16 / 16
5.2	Lift speed, laden / unladen	[m/s]	0.5/0.6	0.44/0.6	0.4/0.6
5.3	Lowering speed, laden / unladen	[m/s]	0.52/0.5	0.52/0.5	0.52/0.5
5.5	Rated drawbar pull with/without load	[N]	2,650/3,050	2,580/3,020	2,480/2,970
5.6	Maximum drawbar pull, with/without load (5 min short duty)	[N]	12,160/12,550	12,090/12,530	11,980/12,470
5.7	Gradeability with/without load	[%]	9/15	9/15	8/14
5.8	Maximum gradeability, with/without load	[%]	26/35	25/35	23/35
5.9	Acceleration time (10 m) with/without load	[s]	4.3/3.8	4.4/3.8	4.5/3.9
5.10	Service brake		Mech./hydr.	Mech./hydr.	Mech./hydr.
6	MOTORS				
6.1	Traction motor capacity (60 min. short duty)	[kW]	4.5x2	4.5x2	4.5x2
6.2	Lift motor output at 15% duty factor	[kW]	11.5	11.5	11.5
6.3	Battery to DIN 43531/35/36 A/B/C/no		DIN 43531 A	DIN 43531 A	DIN 43531 A
6.4	Battery voltage / nominal capacity (5 h)	[V/Ah]	48 V/750 Ah	48 V/750 Ah	48 V/750 Ah
6.5	Battery weight	[kg]	1,025	1,025	1,025
6.6	Energy consumption according to VDI 60 cycle	[kWh/h]	-	-	-
8	OTHER				
8.1	Type of drive control		AC transistor	AC transistor	AC transistor
8.2	Maximum operating pressure for attachments	[bar]	181	181	181

8.3	Oil flow for attachments	[l/min]	-	-	-
8.4	Noise level, value at operator's ear (EN 12053)	[dB(A)]	66	66	66
8.5	Towing coupling design / DIN type, ref.		15170/H	15170/H	15170/H
<p>Manufacturer reserves the right to make technical changes.</p>			 		





- A_{st} = Working aisle width with load
- a = Safety clearance (200 mm)
- l_6 = Pallet length (800 or 1000 mm)
- b_{12} = Pallet width (1200 mm)

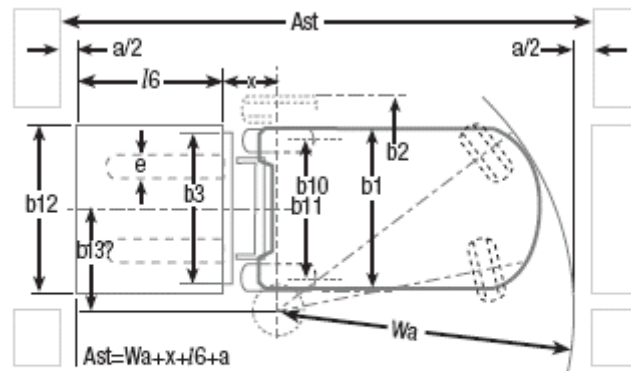
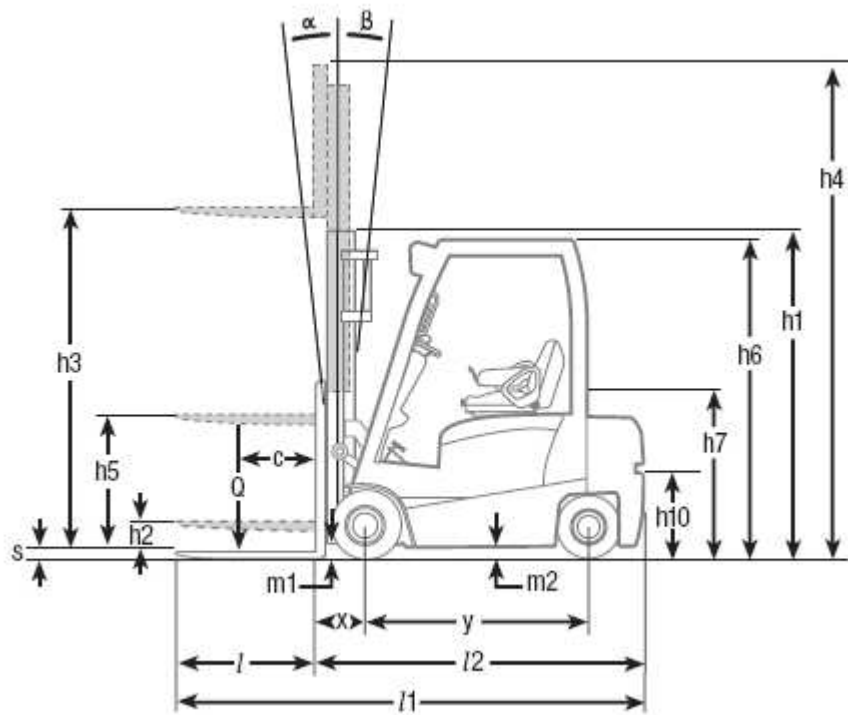
1.2 FB16-20(C)PN

- 4-wheel chassis, 48 Volts, front-wheel drive
- MicroCommand AC - control system,
- Two 4.5 kW AC traction motors
- 11.5 kW AC hydraulic motor,
- Steer-by-wire and Electronic/Hydrostatic Power Steering
- Audible Backup Alarm
- Pneumatic shaped solid tires (Super Elastic)
- Full-suspension Vinyl Seat
- Wet Disk Brakes
- Presence Detection System (PDS+) with automatic parking brake
- Tilttable steering column
- Armrest Mounted Fingertip Hydraulic Control
- 3-way hydraulic valve
- LED working lights (2 front and 1 rear)
- Reverse drive handle with horn button
- DIN battery connector (on frame side)

1 IDENTIFICATION							
1.1	Manufacturer		Mitsubishi	Mitsubishi	Mitsubishi	Mitsubishi	Mitsubishi
1.2	Manufacturer's type designation		FB16CPN	FB18CPN	FB16PN	FB18PN	FB20PN
1.3	Drive		Electric	Electric	Electric	Electric	Electric
1.4	Operator type		Seated	Seated	Seated	Seated	Seated
1.5	Rated capacity / rated load	Q [kg]	1,600	1,800	1,600	1,800	2,000
1.6	Load center distance	c [mm]	500	500	500	500	500
1.8	Load distance, axle to fork face	x [mm]	373	373	373	373	384
1.9	Wheel base	y [mm]	1,446	1,446	1,556	1,556	1,556
2 WEIGHTS							
2.1	Truck weight, without load / including battery (simplex mast, lowest lifting height)	[kg]	3,050	3,105	3,105	3,170	3,335
2.2	Axle loading with maximum load, front/rear (simplex mast, lowest lifting height)	[kg]	4,015/635	4,330/575	4,055/650	4,360/610	4,710/625
2.3	Axle loading without load front/rear (simplex mast, lowest lifting height)	[kg]	1,450/ 1,600	1,445/ 1,660	1,560/ 1,545	1,550/ 1,620	1,575/ 7,760
3 WHEELS AND TYRES							

3.1	Tyres, material (V=solid, L=pneumatic, SE=solid pneumatic - front/rear)		SE/SE	SE/SE	SE/SE	SE/SE	SE/SE
3.2	Tyre size, front	[mm]	18x7-8	18x7-8	18x7-8	18x7-8	200/50-10
3.3	Tyre size, rear	[mm]	16x6-8	16x6-8	16x6-8	16x6-8	16x6-8
3.5	Wheels, number front / rear (x = driven wheels)		2x/2	2x/2	2x/2	2x/2	2x/2
3.6	Track width, centre of tyres, front	b10 [mm]	920	920	920	920	938
3.7	Track width, centre of tyres, rear	b11 [mm]	898	898	898	898	898
4	DIMENSIONS						
4.1	Tilt of fork carriage, forward / backward	[α/β]	5 / 7.5	5 / 7.5	5 / 7.5	5 / 7.5	5 / 7.5
4.2	Height, mast lowered	h1 [mm]	2,125	2,125	2,125	2,125	2,125
4.3	Free lift	h2 [mm]	80	80	80	80	80
4.4	Lift	h3 [mm]	3,290	3,290	3,290	3,290	3,290
4.5	Height, mast extended	h4 [mm]	4,335	4,335	4,335	4,335	4,335
4.7	Height of overhead guard	h6 [mm]	2,050	2,050	2,050	2,050	2,050
4.8	Seat height	h7 [mm]	974	974	974	974	974
4.10	Tow coupling height	h10 [mm]	575	575	575	575	575
4.19	Overall length	l1 [mm]	3,302	3,302	3,412	3,412	3,423
4.20	Length to face of forks (includes fork thickness)	l2 [mm]	2,152	2,152	2,262	2,262	2,273
4.21	Overall width	b1/b2 [mm]	1,090	1,090	1,090	1,090	1,140
4.22	Fork dimensions (thickness, width, length)	s/e/l [mm]	35x100x1,150	35x100x1,150	35x100x1,150	35x100x1,150	35x100x1,150
4.23	Fork carriage DIN 15 173 A/B/no		2A	2A	2A	2A	2A
4.24	Fork carriage width	b3 [mm]	920	920	920	920	920
4.31	Ground clearance under mast, with load	m1 [mm]	95	95	95	95	95
4.32	Ground clearance, center of wheel base, with load, forks lowered	m2 [mm]	85	85	85	85	85
4.33	Working aisle width with 1,000x1,200 pallets, crosswise	Ast [mm]	3,473	3,473	3,588	3,588	3,599
4.34	Working aisle width with 800x1,200 pallets, crosswise	Ast [mm]	3,273	3,273	3,388	3,388	3,399
4.35	Turning circle radius	Wa [mm]	1,900	1,900	2,015	2,015	2,015
4.36	Minimum distance between canters of rotation	b13 [mm]	481	481	544	544	544
5	PERFORMANCE						
5.1	Travel speed, laden / unladen	[km/h]	17 / 17	17 / 17	17 / 17	17 / 17	17 / 17
5.2	Lift speed, laden / unladen	[m/s]	0.5/0.6	0.44/0.6	0.5/0.6	0.44/0.6	0.4/0.6

5.3	Lowering speed, laden / unladen	[m/s]	0.52/0.5	0.52/0.5	0.52/0.5	0.52/0.5	0.52/0.5
5.5	Rated drawbar pull with/without load	[N]	2,680/ 3,070	2,610/ 3,060	2,660/ 3,060	2,600/ 3,040	2,510/ 3,000
5.6	Maximum drawbar pull, with/without load (5 min short duty)	[N]	12,020/ 12,410	11,950/ 12,400	12,170/ 12,560	12,110/ 12,550	12,020/ 12,510
5.7	Gradeability with/without load	[%]	10/16	9/16	9/16	9/15	8/14
5.8	Maximum gradeability, with/without load	[%]	27/35	25/35	27/35	25/35	23/35
5.9	Acceleration time (10 m) with/without load	[s]	4.3/3.7	4.3/3.7	4.3/3.7	4.4/3.8	4.4/3.8
5.10	Service brake		Mech./ hydr.	Mech./ hydr.	Mech./ hydr.	Mech./ hydr.	Mech./ hydr.
6	MOTORS						
6.1	Traction motor capacity (60 min. short duty)	[kW]	4.5x2	4.5x2	4.5x2	4.5x2	4.5x2
6.2	Lift motor output at 15% duty factor	[kW]	11.5	11.5	11.5	11.5	11.5
6.3	Battery to DIN 43531/35/36 A/B/C/no		DIN 43531 A	DIN 43531 A	DIN 43531 A	DIN 43531 A	DIN 43531 A
6.4	Battery voltage / nominal capacity (5 h)	[V/Ah]	48 V/ 625 Ah	48 V/ 625 Ah	48 V/ 750 Ah	48 V/ 750 Ah	48 V/ 750 Ah
6.5	Battery weight	[kg]	855	855	1,025	1,025	1,025
6.6	Energy consumption according to VDI 60 cycle	[kWh/h]	-	-	-	-	-
8	OTHER						
8.1	Type of drive control		AC transistor	AC transistor	AC transistor	AC transistor	AC transistor
8.2	Maximum operating pressure for attachments	[bar]	181	181	181	181	181
8.3	Oil flow for attachments	[l/min]	-	-	-	-	-
8.4	Noise level, value at operator's ear (EN 12053)	[dB(A)]	67	67	67	67	67
8.5	Towing coupling design / DIN type, ref.		15170/H	15170/H	15170/H	15170/H	15170/H
Manufacturer reserves the right to make technical changes.					 		



- Ast = Working aisle width with load
- a = Safety clearance (200 mm)
- l6 = Pallet length (800 or 1000 mm)
- b12 = Pallet width (1200 mm)

2 Energy consumption, noise, vibration

2.1 Energy consumption (according to VDI2198)

TRUCK MODEL	ENERGY CONSUMPTION
15PNT	4.2 KWh
16-18CPNT	4.4 KWh
16, 18, 20PNT	4.4 KWh, 4.4 KWh, 4.8 KWh
16-18CPN	
16, 18, 20PN	4.5 KWh, 4.5 KWh, 4.9 KWh

2.2 Noise at operator's ear

TRUCK MODEL	NOISE LEVEL dB(A)
13-15PNT 16-18CPNT 16-20PNT	66
16-18CPN 16-20PN	67

2.3 Vibration (EN13059)

TRUCK MODEL	VIBRATION LEVEL AT OPERATOR'S SEAT [m/s ²]
13-15PNT 16-18CPNT 16-20PNT	0.93
16-18CPN 16-20PN	0.66

3 Mast availability chart

O	Standard equipment
•	Available option
E	Available, option may extend lead time (contact CSM department)

MASTS		13-15PNT	16-18CPNT 16-18CPN	16-20PNT 16-20PN
Strengthened Masts	On request	•	•	•
Simplex	2SP200	E	E	E
	2SP260	E	E	E
	2SP280	E	E	E
	2SP300	•	•	•
	2SP330	•	•	•
	2SP350	E	E	E
	2SP370	•	•	•
	2SP410	•	•	•
	2SP450	•	•	•
	2SP500	•	•	•
	2SP550	•	•	•
2SP600	•	•	•	
Duplex	2FP280	E	E	E
	2FP300	•	•	•
	2FP330	•	•	•
	2FP350	E	E	E
	2FP370	•	•	•
	2FP400	•	•	•

MASTS		13-15PNT	16-18CPNT 16-18CPN	16-20PNT 16-20PN
Triplex	3FP370	•	•	•
	3FP400	•	•	•
	3FP430	•	•	•
	3FP450 ¹⁾	E	E	E
	3FP480	•	•	•
	3FP510	•	•	•
	3FP550	•	•	•
	3FP600	•	•	•
	3FP650	•	•	•
	3FP700	•	•	•

1) Collapsed height h1 = 2,025 mm

4 Option availability chart

O	Standard equipment
•	Available option
E	Available, option may extend lead time (contact CSM department)

4.1 Carriages

	CODE	13-15PNT	16-18CPNT 16-18CPN	16-20PNT 16-20PN
Hook-on Sideshift Carriage	SS092	•	•	•
Integrated Sideshift Carriage	INSS092	•	•	•
Backrest Deletion	BRX	•	•	•

4.2 Hydraulic valves

	CODE	13-15PNT	16-18CPNT 16-18CPN	16-20PNT 16-20PN
3-Way Valve for Manual Control	3V/MC ¹⁾	•	•	•
4-Way Valve for Manual Control	4V/MC ²⁾	•	•	•
3-Way Valve for Finger Tip Control	3V/FC	O	O	O
4-Way Valve for Finger Tip Control	4V/FC	•	•	•

1) Requires Piping for 3-Way Hydraulic Supply Group.

2) Requires Piping for 4-Way Hydraulic Supply Group.

4.3 Piping for hydraulics

		CODE	13-15PNT	16-18CPNT 16-18CPN	16-20PNT 16-20PN
3-Way Piping	Simplex Masts	3V/PS	•	•	•
	Duplex Masts	3V/PD	•	•	•
	Triplex Masts	3V/PT	•	•	•
	3 Way Attachment on chassis	3VATT	•	•	•
4-Way Piping	Simplex Masts	4V/PS ³⁾	•	•	•
	Duplex Masts	4V/PD ³⁾	•	•	•
	Triplex Masts	4V/PT ³⁾	•	•	•
	4 Way Attachment on chassis	4VATT ³⁾	•	•	•

3) Requires 4-Way Valve.

4.4 Electric system

	CODE	13-15PNT	16-18CPNT 16-18CPN	16-20PNT 16-20PN
DIN Connector for 48 V battery	DIN48B	•	•	•
DIN Connector for 48 V charger	DIN48C	•	•	•
Road Light Kit (LED type, 48 V)	RLDC LED ⁴⁾	•	•	•
Work light deletion	LDCX	•	•	•
Work Lights 2 Front / 1 Rear (LED type)	LED LIGHTS	○	○	○
Work Lights 2 Front / 1 Rear (Halogen type)	HALOGEN	•	•	•
FNR Switch mounted on adjustable Armrest	ARMDC ⁵⁾	•	•	•
DC-DC Converter (12 V, 300 Watt)	DC300W	•	•	•
Foot Directional Control	FDC ⁶⁾	•	•	•
Weight indicator in display	LWI	•	•	•
Amber Strobe (LED type)	LEDSTRB	•	•	•

4) Rear: 2 direction indicators, brake, tail and backup lights. Front: Contour lights and direction indicators.

5) For Models equipped with Fingertip Hydraulic Control.

6) Not in combination with option HEAT.

4.5 Tires

	CODE	13-15PNT	16-18CPNT 16-18CPN	16-20PNT 16-20PN
Solid tires (SE Super Elastic)	US/US	○	○	○
Non-marking solid tires (SE)	NM/US	•	•	•

4.6 Frame and body

	CODE	13-15PNT	16-18CPNT 16-18CPN	16-20PNT 16-20PN
High Visibility Overhead Guard	HG/HIVIZ	•	•	•
Full Suspension Cloth Seat with Seat Belt and Switch	SEAT/C	•	•	•
Grammer MSG65 with vinyl upholstery	SEAT/LX	•	•	•
Grammer MSG65 with cloth upholstery	SEAT/C/G	•	•	•
Sideway Battery Exchange (includes roller bed inside truck)	SWE ⁷⁾	•	•	•
Battery side way exchange tool	SWE/TOOL	•	•	•
Battery Changing Platform	BCP	•	•	•
Battery tray for SWE, one for each battery	SWE/TRY	•	•	•
Reverse drive handle with horn button	BHORN	O	O	O
Rear View Mirror	RVM	•	•	•
Wide View Mirror	WVM	•	•	•
Smart backup alarm	S/BUZ	•	•	•
Double action FC, for clamp usage		E	E	E
Double action MC, for clamp usage		E	E	E
Food grade oil		E	E	E
Special color for chassis only (state RAL code on order)	SP/CLR FR ⁸⁾	•	•	•
Chassis and overhead guard in special color (RAL code on order)	SP/CLR HG ⁸⁾	•	•	•

7) Battery exchange system not included

8) Please inform RAL colour number

4.7 Cabins

	CODE	13-15PNT	16-18CPNT 16-18CPN	16-20PNT 16-20PN
Laminated Glass Front Screen with Washer/Wiper (incl. HG/HIVIZ)	FR+TP ⁹⁾	•	•	•
Add on to FR+TP, tempered Rear Screen equipped with Washer/Wiper	REAR	•	•	•
Add on to FR+TP and REAR, removable PVC Doors	PVC/D	•	•	•
Add on to FR+TP and REAR, Steel Doors equipped (Sliding Windows)	STL/D	•	•	•
1,5kW Heating System with adjustable air inlet	HEAT ¹⁰⁾	•	•	•
Tilt Cylinder hole covers, covering gap front side	T/COV ¹¹⁾	•	•	•
Battery slot cover	BATT/SLOT	•	•	•
Reading light on flexible arm (LED type)	R/L	•	•	•
12V connector power supply	12V CONN	•	•	•
Sun Visor	SUN VISOR	•	•	•
Reinforced side cover	RRC	•	•	• ¹²⁾

9) Standard mast tilt is limited to 5 degrees backward tilt. Total height of truck is +50mm due to the hinged cover for battery exchange. 3FP370 and 3FP400 restricted to 3.5 degrees backward tilt.

10) Requires STL/D. The T/COV are not included.

11) Consider ordering in combination with the HEATER

12) Not for 16-20PN

4.8 Special treatment

	CODE	13-15PNT	16-18CPNT 16-18CPN	16-20PNT 16-20PN
Galvanized chassis for 1 unit		E	E	E
Galvanized mast 2SP+Carriage+LBR		E	E	E
Galvanized mast 2FP+Carriage+LBR		E	E	E
Galvanized mast 3FP+Carriage+LBR		E	E	E

4.9 Others

	CODE	13-15PNT	16-18CPNT 16-18CPN	16-20PNT 16-20PN
RAVAS Load Indicator (Hydraulic)		E	E	E
RAVAS weighing system 2.5 ton ¹³⁾		E	E	E
RAVAS weighing system separate compact printer ¹⁴⁾		E	E	E
Cold store modification	MODCS	•	•	•
Performance reduction, by lift height switch	PERF/LH	•	•	•
Dual pedal layout	DOUBLE/P	•	•	•
Reinforced mast	HR MAST	•	•	•

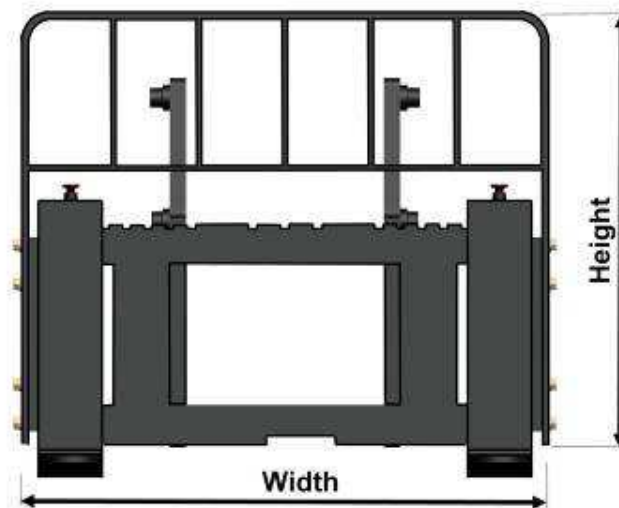
13) Tolerance is 0.1% of total weight.

14) Requires 13)

5 Forks and carriages

5.1 Forks

	WIDTH [mm]	THICKNESS [mm]	L900	L1000	L1100	L1150	L1200	L1400	L1500	L1700	L1800	L2000
13-15PNT 16-18CPN(T) 16-20PN(T)	100	35	•	•	•	•	•	•				
	100	40							•	•	•	•



5.2 Carriages

CARRIAGES		13-15PNT	16-18CPNT 16-18CPN	16-20PNT 16-20PN	
WIDTH [mm]	CODE	HEIGHT [mm]	965	965	975
Standard carriages					
920			○	○	○
Hook-on sideshift carriage					
920	SS092 ¹⁾		●	●	●
Integral sideshift carriage					
920	INSS092 ¹⁾		●	●	●

1) Requires 3-Way hydraulic supply group; specify model

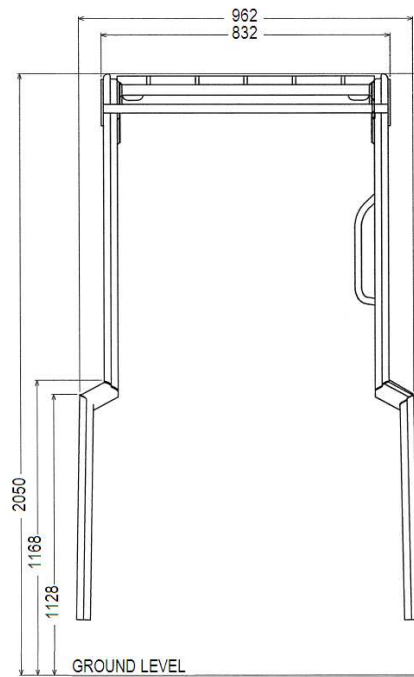
6 Wheels

			TIRE SIZE	RIM TYPE	SE	NON-MARKING (WHITE/YELLOW)
13-18(C)PNT	Front	Single	18x7-8	Side-ring	O	•
	Rear		140/55-9	Side-ring	O	•
20PNT	Front	Single	200/50-10	Side-ring	O	•
	Rear		140/55-9	Side-ring	O	•
16-18(C)PN	Front	Single	18x7-8	Side-ring	O	•
	Rear		16x6-8	Side-ring	O	•
20PN	Front	Single	200/50-10	Side-ring	O	•
	Rear		16x6-8	Side-ring	O	•

7 Overhead guard options

OVERHEAD GUARD SPECIALS	CODE	13-15PNT	16-18CPNT 16-18CPN	16-20PNT 16-20PN
Drive In Rack Overhead Guard (narrow roof)		E	E	E

Not in combination with FC hydraulic controls



Narrow Roof model

8 Ground pressure

			WITH LOAD [kg/cm ²]	WITHOUT LOAD [kg/cm ²]
13PNT	Front	Single	12.6	
	Rear			10.9
15PNT	Front	Single	13.5	
	Rear			11.3
16CPNT	Front	Single	13.8	
	Rear			11.3
18CPNT	Front	Single	14.7	
	Rear			11.5
16PNT	Front	Single	13.8	
	Rear			11.3
18PNT	Front	Single	14.7	
	Rear			11.5
20PNT	Front	Single	13.1	
	Rear			12.0
16CPN	Front	Single	13.7	
	Rear			11.3
18CPN	Front	Single	14.5	
	Rear			11.5
16PN	Front	Single	13.8	
	Rear			11.0
18PN	Front	Single	14.5	
	Rear			11.3
20PN	Front	Single	13.0	
	Rear			11.8

9 Battery dimensions

The dimensions below are based on DIN-A battery sizes

	COMPARTMENT DIMENSIONS			CONTAINER DIMENSIONS				BATTERY WEIGHT		VOLTAGE	CAPACITY	CONNECTOR
	l (mm)	w (mm)	h (mm)	l (mm)	w (mm)	h1 (mm)	h2 (mm)	Min. (kg)	Max. (kg)	Volt	(Ah/5h)	acc. to EEC 86/663 add. C
13-15PNT				522	830	612	627	679	751	48	500	DIN 320A 48V
16-18CPNT				630	830	612	627	812	898	48	625	DIN 320A 48V
16-20PNT				738	380	612	627	974	1,076	48	750	DIN 320A 48V
16-18CPN				630	830	612	627	812	898	48	625	DIN 320A 48V
16-20PN				738	830	612	627	974	1,076	48	750	DIN 320A 48V

The dimensions below are based on British Standard (BS) battery sizes.

	COMPARTMENT DIMENSIONS			CONTAINER DIMENSIONS				BATTERY WEIGHT		VOLTAGE	CAPACITY	CONNECTOR
	l (mm)	w (mm)	h (mm)	l (mm)	w (mm)	h1 (mm)	h2 (mm)	Min. (kg)	Max. (kg)	Volt	(Ah/5h)	acc. to EEC 86/663 add. C
13-15PNT				521	1,006	620	650	865	1,076	48	625	SBE 320 BLUE
16-18CPNT				624	1,006	612	627	1,000	1,076	48	750	SBE 320 BLUE
16-20PNT				624	1,006	612	627	1,000	1,076	48	750	SBE 320 BLUE

10 Battery and charger combination

	BATTERY				CHARGER				CHARGER			
	WET	Code	DRY	Code	12 hour	Phase	Amp	Code	8 hour	Phase	Amp	Code
13PNT 15PNT	420	BW48D420E	420	BD48D420E	Standard	3	60	CH48/060E	Standard	3	70	CH48/070E
					High Frequency	3	40	CH48H040E	High Frequency	3	60	CH48H060E
					Standard Tropical	3	60	CT48/060E	Standard Tropical	3	70	CT848/070E
13PNT 15PNT	500	BW48D500E	500	BD48D500E	Standard	3	70	CH48/070E	Standard	3	80	CH48/080E
					High Frequency	3	50	CH48H050E	High Frequency	3	70	CH48H070E
					Standard Tropical	3	70	CT48/070E	Standard Tropical	3	80	CT848/080E
16CPN(T) 18CPN(T)	525	BW48D525E	525	BD48D420E	Standard	3	70	CH48/070E	Standard	3	80	CH48/080E
					High Frequency	3	50	CH48H050E	High Frequency	3	70	CH48H070E
					Standard Tropical	3	70	CT48/070E	Standard Tropical	3	80	CT848/080E
16CPN(T) 18CPN(T)	625	BW48D625E	625	BD48D625E	Standard	3	80	CH48/080E	Standard	3	100	CH48/100E
					High Frequency	3	60	CH48H060E	High Frequency	3	80	CH48H080E
					Standard Tropical	3	80	CT48/080E	Standard Tropical	3	100	CT848/100E
16PN(T) 18PN(T) 20PN(T)	630	BW48D630E	630	BD48D630E	Standard	3	80	CH48/080E	Standard	3	100	CH48/100E
					High Frequency	3	60	CH48H060E	High Frequency	3	80	CH48H080E
					Standard Tropical	3	80	CT48/080E	Standard Tropical	3	100	CT848/100E
16PN(T) 18PN(T) 20PN(T)	750	BW48D750E	750	BD48D750E	Standard	3	100	CH48/100E	Standard	3	120	CH48/120E
					High Frequency	3	70	CH48H070E	High Frequency	3	100	CH48H100E
					Standard Tropical	3	100	CT48/100E	Standard Tropical	3	120	CT848/120E
13PNT 15PNT	420	BW48D420 H	420	BD48D420H	Standard	3	60	CT48/060H	Standard	3	80	CT45/080H
					High Frequency	3	45	CT45H045H	High Frequency	3	55	CT48H055H
13PNT 15PNT	500	BW48D500 H	500	BD48D500H	Standard	3	70	CT48/070H	Standard	3	90	CT48/090H
					High Frequency	3	45	CT48H045H	High Frequency	3	65	CT48H065H

	BATTERY				CHARGER				CHARGER			
	WET	Code	DRY	Code	12 hour	Phase	Amp	Code	8 hour	Phase	Amp	Code
16CPN(T) 18CPN(T)	525	BW48D525 H	525	BD48D525H	Standard	3	70	CT48/070H	Standard	3	100	CT48/100H
					High Frequency	3	55	CT48H055H	High Frequency	3	65	CT48H065H
16CPN(T) 18CPN(T)	625	BW48D625 H	625	BD48D625H	Standard	3	90	CT48/090H	Standard	3	115	CT48/115H
					High Frequency	3	65	CT48H065H	High Frequency	3	80	CT48H080H
16PN(T) 18PN(T) 20PN(T)	630	BW48D630 H	630	BD48D630H	Standard	3	90	CT48/090H	Standard	3	115	CT48/115H
					High Frequency	3	65	CT48H065H	High Frequency	3	80	CT48H080H
16PN(T) 18PN(T) 20PN(T)	750	BW48D750 H	750	BD48D750H	Standard	3	100	CT48/100H	Standard	3	140	CT48/140H
					High Frequency	3	65	CT48H065H	High Frequency	3	100	CT48H100H

All Hoppecke chargers are Tropical protected

	BATTERY				CHARGER				CHARGER			
	WET	Code	DRY	Code	12 hour	Phase	Amp	Code	8 hour	Phase	Amp	Code
13PNT 15PNT	420	BW48D420A	NA		Standard	3	60	CH48/060A	Standard	3	80	CH848/080A
					High Freq. Tropical	3	50	CT48H050A	High Freq. Tropical	3	85	CT48H075A
13PNT 15PNT	500	W48D500A	NA		Standard	3	70	CH48/070A	Standard	3	100	CH848/100A
					High Freq. Tropical	3	60	CT48H060A	High Freq. Tropical	3	75	CT48H075A
16CPN(T) 18CPN(T)	525	BW48D525A	NA		Standard	3	80	CH48/080A	Standard	3	100	CH848/100A
					High Freq. Tropical	3	60	CT48H060A	High Freq. Tropical	3	100	CT48H100A
16CPN(T) 18CPN(T)	625	BW48D625A	NA		Standard	3	90	CH48/090A	Standard	3	120	CH848/120A
					High Freq. Tropical	3	75	CT48H075A	High Freq. Tropical	3	115	CT48H115A
16PN(T) 18PN(T) 20PN(T)	630	BW48D630A	NA		Standard	3	90	CH48/090A	Standard	3	120	CH848/120A
					High Freq. Tropical	3	75	CT48H075A	High Freq. Tropical	3	115	CT48H115A
16PN(T) 18PN(T) 20PN(T)	750	BW48D750A	NA		Standard	3	100	CH48/100A	Standard	3	140	CH848/140A
					High Freq. Tropical	3	100	CT48H100A	High Freq. Tropical	3	115	CT48H115A

11 Mast capacity charts

11.1 13PNT

13PNT					Standard Forks		Hook-on SS		Integral SS	
h3	h1	h4 ¹⁾	h2/h5 ²⁾	Tilt	Single drive		Single drive		Single drive	
				angle	Solid		Solid		Solid	
					500	600	500	600	500	600
mm	mm	mm	mm	Deg	kg	kg	kg	kg	kg	kg
Simplex										
2000 ³⁾	1480	3045	80	5 / 6	1300	1150	1300	1150	1300	1150
2560 ³⁾	1760	3605	80	5 / 6	1300	1150	1300	1150	1300	1150
2760 ³⁾	1860	3805	80	5 / 7.5	1300	1150	1300	1150	1300	1150
3000 ³⁾	1980	4045	80	5 / 7.5	1300	1150	1300	1150	1300	1150
3290	2125	4335	80	5 / 7.5	1300	1150	1275	1125	1300	1150
3530	2245	4575	80	5 / 7.5	1300	1150	1250	1100	1300	1150
3720	2385	4765	80	5 / 7.5	1300	1150	1225	1075	1275	1125
4090	2570	5135	80	5 / 7.5	1300	1150	1175	1050	1225	1100
4480	2775	5525	80	5 / 5	1275	1125	1150	1025	1175	1050
5000	3035	6045	80	5 / 5	1200	1075	1075	950	1125	1000
5500	3285	6545	80	5 / 3.5	1125	1000	1000	875	1050	925
6000	3535	7045	80	5 / 3.5	1050	925	925	825	975	850
Duplex										
2800 ³⁾	1880	3845	835	5 / 6	1600	1425	1300	1150	1300	1150
3000 ³⁾	1980	4045	935	5 / 6	1600	1425	1300	1150	1300	1150
3290	2125	4340	1080	5 / 6	1600	1425	1275	1125	1300	1150
3515	2245	4560	1200	5 / 6	1600	1425	1250	1100	1300	1150
3700	2385	4745	1340	5 / 6	1600	1425	1225	1075	1275	1125
4030	2570	5075	1525	5 / 6	1600	1425	1175	1050	1225	1075
Triplex										
3710 ³⁾	1780	4755	735	5 / 6	1300	1150	1200	1075	1250	1100
4010 ³⁾	1880	5055	835	5 / 6	1300	1150	1175	1050	1225	1075
4310 ³⁾	1980	5355	935	5 / 6	1275	1125	1150	1025	1175	1050
4750	2125	5795	1080	5 / 6	1225	1075	1100	975	1125	1000
5090	2245	6135	1200	5 - 3.5	1175	1050	1050	925	1100	975
5490	2385	6535	1340	5 - 3.5	1125	1000	975	850	1025	900
5990	2570	7035	1525	5 - 3.5	1075	950	950	850	1000	875
6490	2830	7535	1785	5 - 3.5	950	850	750	650	750	650
7000	3035	8045	1990	5 - 3.5	725	650	475	425	475	425

- 1) The h4 dimension without Load Backrest decreases with 442 mm
- 2) The h5 dimension without Load Backrest increases with 442 mm
- 3) Masts with h1 lower than overhead guard height (2,050 mm)

- h1 - Height with mast lowered
- h2 - Standard free lift
- h3 - Standard lift height
- h4 - Height with mast raised
- h5 - Full free lift
- Q - Lifting capacity, rated load

Solid pneumatic tires (SE): Front 18x7-8, rear 140/55-9

11.2 15PNT

15PNT					Standard Forks		Hook-on SS		Integral SS	
h3	h1	h4 ¹⁾	h2/h5 ²⁾	Tilt angle	Single drive		Single drive		Single drive	
					Solid		Solid		Solid	
					500	600	500	600	500	600
mm	mm	mm	mm	Deg	kg	kg	kg	kg	kg	kg
Simplex										
2000 ³⁾	1480	3045	80	5 / 6	1500	1325	1500	1325	1500	1325
2560 ³⁾	1760	3605	80	5 / 6	1500	1325	1500	1325	1500	1325
2760 ³⁾	1860	3805	80	5 / 7.5	1500	1325	1500	1325	1500	1325
3000 ³⁾	1980	4045	80	5 / 7.5	1500	1325	1500	1325	1500	1325
3290	2125	4335	80	5 / 7.5	1500	1325	1475	1300	1500	1325
3530	2245	4575	80	5 / 7.5	1500	1325	1450	1300	1500	1325
3720	2385	4765	80	5 / 7.5	1500	1325	1425	1275	1475	1300
4090	2570	5135	80	5 / 7.5	1500	1325	1375	1225	1425	1275
4480	2775	5525	80	5 / 5	1475	1300	1325	1175	1375	1225
5000	3035	6045	80	5 / 5	1400	1250	1250	1100	1300	1150
5500	3285	6545	80	5 / 3.5	1325	1175	1200	1075	1250	1100
6000	3535	7045	80	5 / 3.5	1250	1100	1125	1000	1125	1000
Duplex										
2800 ³⁾	1880	3845	835	5 / 6	1500	1325	1500	1325	1500	1325
3000 ³⁾	1980	4045	935	5 / 6	1500	1325	1500	1325	1500	1325
3290	2125	4340	1080	5 / 6	1500	1325	1475	1300	1500	1325
3515	2245	4560	1200	5 / 6	1500	1325	1450	1300	1500	1325
3700	2385	4745	1340	5 / 6	1500	1325	1425	1275	1475	1300
4030	2570	5075	1525	5 / 6	1500	1325	1375	1225	1425	1275
Triplex										
3710 ³⁾	1780	4755	735	5 / 6	1500	1325	1400	1250	1450	1300
4010 ³⁾	1880	5055	835	5 / 6	1500	1325	1375	1225	1425	1275
4310 ³⁾	1980	5355	935	5 / 6	1475	1300	1325	1175	1375	1225
4750	2125	5795	1080	5 / 6	1425	1275	1275	1125	1325	1175
5090	2245	6135	1200	5 - 3.5	1375	1225	1225	1075	1275	1125
5490	2385	6535	1340	5 - 3.5	1325	1175	1175	1050	1225	1075
5990	2570	7035	1525	5 - 3.5	1275	1125	1125	1000	1175	1050
6490	2830	7535	1785	5 - 3.5	1050	925	750	650	750	650
7000	3035	8045	1990	5 - 3.5	725	650	475	425	475	425

- 1) The h4 dimension without Load Backrest decreases with 442 mm
- 2) The h5 dimension without Load Backrest increases with 442 mm
- 3) Masts with h1 lower than overhead guard height (2,050 mm)

- h1 - Height with mast lowered
- h2 - Standard free lift
- h3 - Standard lift height
- h4 - Height with mast raised
- h5 - Full free lift
- Q - Lifting capacity, rated load

Solid pneumatic tires (SE): Front 18x7-8, rear 140/55-9

11.3 16CPNT

16CPNT					Standard Forks		Hook-on SS		Integral SS	
h3	h1	h4 ¹⁾	h2/h5 ²⁾	Tilt angle	Single drive		Single drive		Single drive	
					Solid		Solid		Solid	
					500	600	500	600	500	600
mm	mm	mm	mm	Deg	kg	kg	kg	kg	kg	kg
Simplex										
2000 ³⁾	1480	3045	80	5 / 6	1600	1425	1600	1425	1600	1425
2560 ³⁾	1760	3605	80	5 / 6	1600	1425	1600	1425	1600	1425
2760 ³⁾	1860	3805	80	5 / 7.5	1600	1425	1600	1425	1600	1425
3000 ³⁾	1980	4045	80	5 / 7.5	1600	1425	1600	1425	1600	1425
3290	2125	4335	80	5 / 7.5	1600	1425	1600	1425	1600	1425
3530	2245	4575	80	5 / 7.5	1600	1425	1575	1425	1600	1425
3720	2385	4765	80	5 / 7.5	1600	1425	1550	1425	1600	1425
4090	2570	5135	80	5 / 7.5	1600	1425	1500	1375	1550	1425
4480	2775	5525	80	5 / 5	1600	1425	1450	1325	1500	1350
5000	3035	6045	80	5 / 5	1525	1350	1375	1275	1425	1275
5500	3285	6545	80	5 / 3.5	1425	1275	1325	1175	1325	1175
6000	3535	7045	80	5 / 3.5	1300	1150	1150	1025	1150	1025
Duplex										
2800 ³⁾	1880	3845	835	5 / 6	1600	1425	1600	1425	1600	1425
3000 ³⁾	1980	4045	935	5 / 6	1600	1425	1600	1425	1600	1425
3290	2125	4340	1080	5 / 6	1600	1425	1600	1425	1600	1425
3515	2245	4560	1200	5 / 6	1600	1425	1575	1400	1600	1425
3700	2385	4745	1340	5 / 6	1600	1425	1550	1375	1600	1425
4030	2570	5075	1525	5 / 6	1600	1425	1500	1325	1550	1425
Triplex										
3710 ³⁾	1780	4755	735	5 / 6	1600	1425	1525	1350	1600	1425
4010 ³⁾	1880	5055	835	5 / 6	1600	1425	1500	1325	1550	1425
4310 ³⁾	1980	5355	935	5 / 6	1600	1425	1450	1300	1500	1350
4750	2125	5795	1080	5 / 6	1550	1375	1400	1250	1450	1300
5090	2245	6135	1200	5 - 3.5	1500	1325	1350	1200	1400	1250
5490	2385	6535	1340	5 - 3.5	1450	1300	1300	1150	1350	1200
5990	2570	7035	1525	5 - 3.5	1375	1225	1225	1075	1250	1100
6490	2830	7535	1785	5 - 3.5	1050	925	750	650	750	650
7000	3035	8045	1990	5 - 3.5	725	650	475	425	500	425

- 1) The h4 dimension without Load Backrest decreases with 442 mm
- 2) The h5 dimension without Load Backrest increases with 442 mm
- 3) Masts with h1 lower than overhead guard height (2,050 mm)

- h1 - Height with mast lowered
- h2 - Standard free lift
- h3 - Standard lift height
- h4 - Height with mast raised
- h5 - Full free lift
- Q - Lifting capacity, rated load

Solid pneumatic tires (SE): Front 18x7-8, rear 140/55-9

11.4 18CPNT

18CPNT					Standard Forks		Hook-on SS		Integral SS	
h3	h1	h4 ¹⁾	h2/h5 ²⁾	Tilt angle	Single drive		Single drive		Single drive	
					Solid		Solid		Solid	
					500	600	500	600	500	600
mm	mm	mm	mm	Deg	kg	kg	kg	kg	kg	kg
Simplex										
2000 ³⁾	1480	3045	80	5 / 6	1800	1600	1800	1600	1800	1600
2560 ³⁾	1760	3605	80	5 / 6	1800	1600	1800	1600	1800	1600
2760 ³⁾	1860	3805	80	5 / 7.5	1800	1600	1800	1600	1800	1600
3000 ³⁾	1980	4045	80	5 / 7.5	1800	1600	1775	1575	1800	1600
3290	2125	4335	80	5 / 7.5	1800	1600	1725	1525	1800	1600
3530	2245	4575	80	5 / 7.5	1800	1600	1700	1525	1750	1550
3720	2385	4765	80	5 / 7.5	1800	1600	1650	1525	1725	1550
4090	2570	5135	80	5 / 7.5	1750	1600	1600	1475	1675	1525
4480	2775	5525	80	5 / 5	1700	1575	1550	1425	1600	1475
5000	3035	6045	80	5 / 5	1625	1450	1475	1300	1525	1350
5500	3285	6545	80	5 / 3.5	1550	1375	1400	1250	1450	1300
6000	3535	7045	80	5 / 3.5	1425	1275	1175	1025	1150	1025
Duplex										
2800 ³⁾	1880	3845	835	5 / 6	1800	1600	1800	1600	1800	1600
3000 ³⁾	1980	4045	935	5 / 6	1800	1600	1750	1550	1800	1600
3290	2125	4340	1080	5 / 6	1800	1600	1725	1525	1775	1575
3515	2245	4560	1200	5 / 6	1800	1600	1675	1525	1750	1550
3700	2385	4745	1340	5 / 6	1800	1600	1650	1525	1725	1550
4030	2570	5075	1525	5 / 6	1750	1600	1600	1475	1650	1525
Triplex										
3710 ³⁾	1780	4755	735	5 / 6	1800	1600	1650	1475	1700	1550
4010 ³⁾	1880	5055	835	5 / 6	1750	1600	1600	1425	1650	1550
4310 ³⁾	1980	5355	935	5 / 6	1725	1575	1550	1375	1625	1550
4750	2125	5795	1080	5 / 6	1650	1475	1500	1325	1550	1375
5090	2245	6135	1200	5 - 3.5	1600	1425	1450	1300	1500	1325
5490	2385	6535	1340	5 - 3.5	1550	1375	1400	1250	1450	1300
5990	2570	7035	1525	5 - 3.5	1375	1225	1225	1075	1250	1100
6490	2830	7535	1785	5 - 3.5	1050	925	775	675	775	675
7000	3035	8045	1990	5 - 3.5	725	650	475	425	500	425

- 1) The h4 dimension without Load Backrest decreases with 442 mm
- 2) The h5 dimension without Load Backrest increases with 442 mm
- 3) Masts with h1 lower than overhead guard height (2,050 mm)

- h1 - Height with mast lowered
- h2 - Standard free lift
- h3 - Standard lift height
- h4 - Height with mast raised
- h5 - Full free lift
- Q - Lifting capacity, rated load

Solid pneumatic tires (SE): Front 18x7-8, rear 140/55-9

11.5 16PNT

16PNT					Standard Forks		Hook-on SS		Integral SS	
h3	h1	h4 ¹⁾	h2/h5 ²⁾	Tilt angle	Single drive		Single drive		Single drive	
					Solid		Solid		Solid	
					500	600	500	600	500	600
mm	mm	mm	mm	Deg	kg	kg	kg	kg	kg	kg
Simplex										
2000 ³⁾	1480	3045	80	5 / 6	1600	1425	1600	1425	1600	1425
2560 ³⁾	1760	3605	80	5 / 6	1600	1425	1600	1425	1600	1425
2760 ³⁾	1860	3805	80	5 / 7.5	1600	1425	1600	1425	1600	1425
3000 ³⁾	1980	4045	80	5 / 7.5	1600	1425	1600	1425	1600	1425
3290	2125	4335	80	5 / 7.5	1600	1425	1600	1425	1600	1425
3530	2245	4575	80	5 / 7.5	1600	1425	1600	1425	1600	1425
3720	2385	4765	80	5 / 7.5	1600	1425	1600	1425	1600	1425
4090	2570	5135	80	5 / 7.5	1600	1425	1600	1425	1600	1425
4480	2775	5525	80	5 / 5	1600	1425	1600	1425	1600	1425
5000	3035	6045	80	5 / 5	1600	1425	1525	1350	1575	1400
5500	3285	6545	80	5 / 3.5	1500	1325	1350	1200	1400	1250
6000	3535	7045	80	5 / 3.5	1400	1250	1200	1075	1200	1075
Duplex										
2800 ³⁾	1880	3845	835	5 / 6	1600	1425	1600	1425	1600	1425
3000 ³⁾	1980	4045	935	5 / 6	1600	1425	1600	1425	1600	1425
3290	2125	4340	1080	5 / 6	1600	1425	1600	1425	1600	1425
3515	2245	4560	1200	5 / 6	1600	1425	1600	1425	1600	1425
3700	2385	4745	1340	5 / 6	1600	1425	1600	1425	1600	1425
4030	2570	5075	1525	5 / 6	1600	1425	1600	1425	1600	1425
Triplex										
3710 ³⁾	1780	4755	735	5 / 6	1600	1425	1600	1425	1600	1425
4010 ³⁾	1880	5055	835	5 / 6	1600	1425	1600	1425	1600	1425
4310 ³⁾	1980	5355	935	5 / 6	1600	1425	1600	1425	1600	1425
4750	2125	5795	1080	5 / 6	1600	1425	1550	1375	1600	1425
5090	2245	6135	1200	5 - 3.5	1600	1425	1500	1325	1550	1375
5490	2385	6535	1340	5 - 3.5	1550	1375	1400	1250	1450	1300
5990	2570	7035	1525	5 - 3.5	1450	1300	1300	1150	1300	1150
6490	2830	7535	1785	5 - 3.5	1175	1050	875	775	900	800
7000	3035	8045	1990	5 - 3.5	850	750	575	500	600	525

- 1) The h4 dimension without Load Backrest decreases with 442 mm
- 2) The h5 dimension without Load Backrest increases with 442 mm
- 3) Masts with h1 lower than overhead guard height (2,050 mm)

- h1 - Height with mast lowered
h2 - Standard free lift
h3 - Standard lift height
h4 - Height with mast raised
h5 - Full free lift
Q - Lifting capacity, rated load

Solid pneumatic tires (SE): Front 18x7-8, rear 140/55-9

11.6 18PNT

18PNT					Standard Forks		Hook-on SS		Integral SS	
h3	h1	h4 ¹⁾	h2/h5 ²⁾	Tilt angle	Single drive		Single drive		Single drive	
					Solid		Solid		Solid	
					500	600	500	600	500	600
mm	mm	mm	mm	Deg	kg	kg	kg	kg	kg	kg
Simplex										
2000 ³⁾	1480	3045	80	5 / 6	1800	1600	1800	1600	1800	1600
2560 ³⁾	1760	3605	80	5 / 6	1800	1600	1800	1600	1800	1600
2760 ³⁾	1860	3805	80	5 / 7.5	1800	1600	1800	1600	1800	1600
3000 ³⁾	1980	4045	80	5 / 7.5	1800	1600	1800	1600	1800	1600
3290	2125	4335	80	5 / 7.5	1800	1600	1800	1600	1800	1600
3530	2245	4575	80	5 / 7.5	1800	1600	1800	1600	1800	1600
3720	2385	4765	80	5 / 7.5	1800	1600	1800	1600	1800	1600
4090	2570	5135	80	5 / 7.5	1800	1600	1750	1550	1800	1600
4480	2775	5525	80	5 / 5	1800	1600	1700	1525	1750	1550
5000	3035	6045	80	5 / 5	1750	1550	1600	1425	1650	1475
5500	3285	6545	80	5 / 3.5	1675	1500	1500	1325	1550	1375
6000	3535	7045	80	5 / 3.5	1550	1375	1275	1100	1250	1100
Duplex										
2800 ³⁾	1880	3845	835	5 / 6	1800	1600	1800	1600	1800	1600
3000 ³⁾	1980	4045	935	5 / 6	1800	1600	1800	1600	1800	1600
3290	2125	4340	1080	5 / 6	1800	1600	1800	1600	1800	1600
3515	2245	4560	1200	5 / 6	1800	1600	1800	1600	1800	1600
3700	2385	4745	1340	5 / 6	1800	1600	1800	1600	1800	1600
4030	2570	5075	1525	5 / 6	1800	1600	1750	1550	1800	1600
Triplex										
3710 ³⁾	1780	4755	735	5 / 6	1800	1600	1800	1600	1800	1600
4010 ³⁾	1880	5055	835	5 / 6	1800	1600	1750	1550	1800	1600
4310 ³⁾	1980	5355	935	5 / 6	1800	1600	1700	1525	1775	1575
4750	2125	5795	1080	5 / 6	1800	1600	1650	1475	1700	1525
5090	2245	6135	1200	5 - 3.5	1775	1575	1600	1425	1650	1475
5490	2385	6535	1340	5 - 3.5	1675	1500	1525	1350	1575	1400
5990	2570	7035	1525	5 - 3.5	1500	1325	1300	1150	1300	1150
6490	2830	7535	1785	5 - 3.5	1175	1050	875	775	900	800
7000	3035	8045	1990	5 - 3.5	850	750	600	525	600	525

- 1) The h4 dimension without Load Backrest decreases with 442 mm
- 2) The h5 dimension without Load Backrest increases with 442 mm
- 3) Masts with h1 lower than overhead guard height (2,050 mm)

- h1 - Height with mast lowered
- h2 - Standard free lift
- h3 - Standard lift height
- h4 - Height with mast raised
- h5 - Full free lift
- Q - Lifting capacity, rated load

Solid pneumatic tires (SE): Front 18x7-8, rear 140/55-9

11.7 20PNT

20PNT					Standard Forks		Hook-on SS		Integral SS	
h3	h1	h4 ¹⁾	h2/h5 ²⁾	Tilt angle	Single drive		Single drive		Single drive	
					Solid		Solid		Solid	
					500	600	500	600	500	600
mm	mm	mm	mm	Deg	kg	kg	kg	kg	kg	kg
Simplex										
2000 ³⁾	1480	3045	80	5 / 6	2000	1800	2000	1800	2000	1800
2560 ³⁾	1760	3605	80	5 / 6	2000	1800	2000	1800	2000	1800
2760 ³⁾	1860	3805	80	5 / 7.5	2000	1800	2000	1800	2000	1800
3000 ³⁾	1980	4045	80	5 / 7.5	2000	1800	2000	1800	2000	1800
3290	2125	4335	80	5 / 7.5	2000	1800	2000	1800	2000	1800
3530	2245	4575	80	5 / 7.5	2000	1800	2000	1800	2000	1800
3720	2385	4765	80	5 / 7.5	2000	1800	2000	1800	2000	1800
4090	2570	5135	80	5 / 7.5	2000	1800	1950	1750	2000	1800
4480	2775	5525	80	5 / 7.5	2000	1800	1875	1700	1975	1750
5000	3035	6045	80	5 / 5	1925	1725	1800	1550	1850	1700
5500	3285	6545	80	5 / 5	1850	1650	1675	1500	1750	1550
6000	3535	7045	80	5 / 3.5	1650	1475	1475	1325	1575	1400
Duplex										
2800 ³⁾	1880	3845	835	5 / 6	2000	1800	2000	1800	2000	1800
3000 ³⁾	1980	4045	935	5 / 6	2000	1800	2000	1800	2000	1800
3290	2125	4340	1080	5 / 6	2000	1800	2000	1800	2000	1800
3515	2245	4560	1200	5 / 6	2000	1800	2000	1800	2000	1800
3700	2385	4745	1340	5 / 6	2000	1800	2000	1800	2000	1800
4030	2570	5075	1525	5 / 6	2000	1800	1950	1750	2000	1800
Triplex										
3710 ³⁾	1780	4755	735	5 / 6	2000	1800	2000	1800	2000	1800
4010 ³⁾	1880	5055	835	5 / 6	2000	1800	1950	1750	2000	1800
4310 ³⁾	1980	5355	935	5 / 6	2000	1800	1900	1700	1975	1750
4750	2125	5795	1080	5 / 6	2000	1800	1825	1650	1925	1725
5090	2245	6135	1200	5 / 6	1900	1700	1700	1525	1775	1575
5490	2385	6535	1340	5 / 6	1825	1625	1650	1475	1725	1550
5990	2570	7035	1525	5 - 3.5	1650	1475	1475	1325	1550	1375
6490	2830	7535	1785	5 - 3.5	1350	1200	1025	900	1025	900
7000	3035	8045	1990	5 - 3.5	1100	975	825	725	850	750

- 1) The h4 dimension without Load Backrest decreases with 442 mm
- 2) The h5 dimension without Load Backrest increases with 442 mm
- 3) Masts with h1 lower than overhead guard height (2,050 mm)

- h1 - Height with mast lowered
- h2 - Standard free lift
- h3 - Standard lift height
- h4 - Height with mast raised
- h5 - Full free lift
- Q - Lifting capacity, rated load

Solid pneumatic tires (SE): Front 18x7-8, rear 140/55-9

11.8 16CPN

16CPN					Standard Forks		Hook-on SS		Integral SS	
h3	h1	h4 ¹⁾	h2/h5 ²⁾	Tilt angle	Single drive		Single drive		Single drive	
					Solid		Solid		Solid	
					500	600	500	600	500	600
mm	mm	mm	mm	Deg	kg	kg	kg	kg	kg	kg
Simplex										
2000 ³⁾	1480	3045	80	5 / 7.5	1600	1425	1600	1425	1600	1425
2560 ³⁾	1760	3605	80	5 / 7.5	1600	1425	1600	1425	1600	1425
2760 ³⁾	1860	3805	80	5 / 7.5	1600	1425	1600	1425	1600	1425
3000 ³⁾	1980	4045	80	5 / 7.5	1600	1425	1600	1425	1600	1425
3290	2125	4335	80	5 / 7.5	1600	1425	1600	1425	1600	1425
3530	2245	4575	80	5 / 7.5	1600	1425	1600	1425	1600	1425
3720	2385	4765	80	5 / 7.5	1600	1425	1600	1425	1600	1425
4090	2570	5135	80	5 / 7.5	1600	1425	1600	1425	1600	1425
4480	2775	5525	80	5 / 5	1600	1425	1550	1375	1600	1425
5000	3035	6045	80	5 / 5	1600	1425	1475	1300	1525	1300
5500	3285	6545	80	5 / 3.5	1550	1375	1350	1200	1350	1200
6000	3535	7045	80	5 / 3.5	1200	1075	850	850	875	875
Duplex										
2800 ³⁾	1880	3845	835	5 / 7.5	1600	1425	1600	1425	1600	1425
3000 ³⁾	1980	4045	935	5 / 7.5	1600	1425	1600	1425	1600	1425
3290	2125	4340	1080	5 / 7.5	1600	1425	1600	1425	1600	1425
3515	2245	4560	1200	5 / 7.5	1600	1425	1600	1425	1600	1425
3700	2385	4745	1340	5 / 7.5	1600	1425	1600	1425	1600	1425
4030	2570	5075	1525	5 / 7.5	1600	1425	1600	1425	1600	1425
Triplex										
3710 ³⁾	1780	4755	735	5 / 6	1600	1425	1600	1425	1600	1425
4010 ³⁾	1880	5055	835	5 / 6	1600	1425	1575	1400	1600	1425
4310 ³⁾	1980	5355	935	5 / 6	1600	1425	1550	1375	1600	1425
4750	2125	5795	1080	5 / 6	1600	1425	1475	1300	1550	1375
5090	2245	6135	1200	5 - 3.5	1600	1425	1450	1300	1500	1325
5490	2385	6535	1340	5 - 3.5	1550	1375	1375	1225	1425	1275
5990	2570	7035	1525	5 - 3.5	1275	1125	925	825	850	850
6490	2830	7535	1785	5 - 3.5	900	800	600	600	600	600
7000	3035	8045	1990	5 - 3.5	625	550	375	375	400	400

- 1) The h4 dimension without Load Backrest decreases with 442 mm
- 2) The h5 dimension without Load Backrest increases with 442 mm
- 3) Masts with h1 lower than overhead guard height (2,050 mm)

- h1 - Height with mast lowered
h2 - Standard free lift
h3 - Standard lift height
h4 - Height with mast raised
h5 - Full free lift
Q - Lifting capacity, rated load

Solid pneumatic tires (SE): Front 18x7-8, rear 16x6-8

11.9 18CPN

18CPN					Standard Forks		Hook-on SS		Integral SS	
h3	h1	h4 ¹⁾	h2/h5 ²⁾	Tilt angle	Single drive		Single drive		Single drive	
					Solid		Solid		Solid	
					500	600	500	600	500	600
mm	mm	mm	mm	Deg	kg	kg	kg	kg	kg	kg
Simplex										
2000 ³⁾	1480	3045	80	5 / 7.5	1800	1600	1800	1600	1800	1600
2560 ³⁾	1760	3605	80	5 / 7.5	1800	1600	1800	1600	1800	1600
2760 ³⁾	1860	3805	80	5 / 7.5	1800	1600	1800	1600	1800	1600
3000 ³⁾	1980	4045	80	5 / 7.5	1800	1600	1800	1600	1800	1600
3290	2125	4335	80	5 / 7.5	1800	1600	1775	1600	1800	1600
3530	2245	4575	80	5 / 7.5	1800	1600	1750	1600	1800	1600
3720	2385	4765	80	5 / 7.5	1800	1600	1725	1575	1775	1600
4090	2570	5135	80	5 / 7.5	1800	1600	1650	1525	1725	1575
4480	2775	5525	80	5 / 5	1775	1575	1600	1475	1650	1525
5000	3035	6045	80	5 / 5	1700	1550	1525	1350	1575	1450
5500	3285	6545	80	5 / 3.5	1625	1500	1350	1200	1350	1300
6000	3535	7045	80	5 / 3.5	1200	1175	875	875	875	875
Duplex										
2800 ³⁾	1880	3845	835	5 / 7.5	1800	1600	1800	1600	1800	1600
3000 ³⁾	1980	4045	935	5 / 7.5	1800	1600	1800	1600	1800	1600
3290	2125	4340	1080	5 / 7.5	1800	1600	1775	1600	1800	1600
3515	2245	4560	1200	5 / 7.5	1800	1600	1750	1600	1800	1600
3700	2385	4745	1340	5 / 7.5	1800	1600	1700	1575	1775	1600
4030	2570	5075	1525	5 / 7.5	1800	1600	1650	1525	1725	1575
Triplex										
3710 ³⁾	1780	4755	735	5 / 6	1800	1600	1700	1550	1750	1600
4010 ³⁾	1880	5055	835	5 / 6	1800	1600	1650	1525	1725	1575
4310 ³⁾	1980	5355	935	5 / 6	1775	1600	1600	1475	1675	1550
4750	2125	5795	1080	5 / 6	1725	1575	1550	1425	1600	1475
5090	2245	6135	1200	5 - 3.5	1675	1525	1500	1375	1550	1450
5490	2385	6535	1340	5 - 3.5	1625	1475	1425	1275	1425	1300
5990	2570	7035	1525	5 - 3.5	1275	1200	925	875	900	900
6490	2830	7535	1785	5 - 3.5	900	900	600	600	600	600
7000	3035	8045	1990	5 - 3.5	625	625	375	375	400	400

- 1) The h4 dimension without Load Backrest decreases with 442 mm
- 2) The h5 dimension without Load Backrest increases with 442 mm
- 3) Masts with h1 lower than overhead guard height (2,050 mm)

- h1 - Height with mast lowered
- h2 - Standard free lift
- h3 - Standard lift height
- h4 - Height with mast raised
- h5 - Full free lift
- Q - Lifting capacity, rated load

Solid pneumatic tires (SE): Front 18x7-8, rear 16x6-8

11.10 16PN

16PN					Standard Forks		Hook-on SS		Integral SS	
h3	h1	h4 ¹⁾	h2/h5 ²⁾	Tilt angle	Single drive		Single drive		Single drive	
					Solid		Solid		Solid	
					500	600	500	600	500	600
mm	mm	mm	mm	Deg	kg	kg	kg	kg	kg	kg
Simplex										
2000 ³⁾	1480	3045	80	5 / 7.5	1600	1425	1600	1425	1600	1425
2560 ³⁾	1760	3605	80	5 / 7.5	1600	1425	1600	1425	1600	1425
2760 ³⁾	1860	3805	80	5 / 7.5	1600	1425	1600	1425	1600	1425
3000 ³⁾	1980	4045	80	5 / 7.5	1600	1425	1600	1425	1600	1425
3290	2125	4335	80	5 / 7.5	1600	1425	1600	1425	1600	1425
3530	2245	4575	80	5 / 7.5	1600	1425	1600	1425	1600	1425
3720	2385	4765	80	5 / 7.5	1600	1425	1600	1425	1600	1425
4090	2570	5135	80	5 / 7.5	1600	1425	1600	1425	1600	1425
4480	2775	5525	80	5 / 5	1600	1425	1575	1400	1600	1425
5000	3035	6045	80	5 / 5	1600	1425	1500	1325	1600	1425
5500	3285	6545	80	5 / 3.5	1600	1425	1350	1200	1525	1350
6000	3535	7045	80	5 / 3.5	1325	1175	850	850	1025	900
Duplex										
2800 ³⁾	1880	3845	835	5 / 7.5	1600	1425	1600	1425	1600	1425
3000 ³⁾	1980	4045	935	5 / 7.5	1600	1425	1600	1425	1600	1425
3290	2125	4340	1080	5 / 7.5	1600	1425	1600	1425	1600	1425
3515	2245	4560	1200	5 / 7.5	1600	1425	1600	1425	1600	1425
3700	2385	4745	1340	5 / 7.5	1600	1425	1600	1425	1600	1425
4030	2570	5075	1525	5 / 7.5	1600	1425	1600	1425	1600	1425
Triplex										
3710 ³⁾	1780	4755	735	5 / 6	1600	1425	1600	1425	1600	1425
4010 ³⁾	1880	5055	835	5 / 6	1600	1425	1600	1425	1600	1425
4310 ³⁾	1980	5355	935	5 / 6	1600	1425	1575	1400	1600	1425
4750	2125	5795	1080	5 / 6	1600	1425	1525	1350	1575	1400
5090	2245	6135	1200	5 - 3.5	1600	1425	1475	1300	1525	1350
5490	2385	6535	1340	5 - 3.5	1600	1425	1425	1275	1400	1250
5990	2570	7035	1525	5 - 3.5	1400	1250	1050	925	1050	925
6490	2830	7535	1785	5 - 3.5	1025	900	725	650	750	650
7000	3035	8045	1990	5 - 3.5	750	650	500	425	500	400

- 1) The h4 dimension without Load Backrest decreases with 442 mm
- 2) The h5 dimension without Load Backrest increases with 442 mm
- 3) Masts with h1 lower than overhead guard height (2,050 mm)

- h1 - Height with mast lowered
h2 - Standard free lift
h3 - Standard lift height
h4 - Height with mast raised
h5 - Full free lift
Q - Lifting capacity, rated load

Solid pneumatic tires (SE): Front 18x7-8, rear 16x6-8

11.11 18PN

18PN					Standard Forks		Hook-on SS		Integral SS	
h3	h1	h4 ¹⁾	h2/h5 ²⁾	Tilt angle	Single drive		Single drive		Single drive	
					Solid		Solid		Solid	
					500	600	500	600	500	600
mm	mm	mm	mm	Deg	kg	kg	kg	kg	kg	kg
Simplex										
2000 ³⁾	1480	3045	80	5 / 7.5	1800	1600	1800	1600	1800	1600
2560 ³⁾	1760	3605	80	5 / 7.5	1800	1600	1800	1600	1800	1600
2760 ³⁾	1860	3805	80	5 / 7.5	1800	1600	1800	1600	1800	1600
3000 ³⁾	1980	4045	80	5 / 7.5	1800	1600	1800	1600	1800	1600
3290	2125	4335	80	5 / 7.5	1800	1600	1800	1600	1800	1600
3530	2245	4575	80	5 / 7.5	1800	1600	1800	1600	1800	1600
3720	2385	4765	80	5 / 7.5	1800	1600	1800	1600	1800	1600
4090	2570	5135	80	5 / 7.5	1800	1600	1750	1575	1800	1600
4480	2775	5525	80	5 / 5	1800	1600	1700	1525	1750	1600
5000	3035	6045	80	5 / 5	1775	1575	1625	1450	1675	1500
5500	3285	6545	80	5 / 3.5	1725	1525	1525	1350	1525	1350
6000	3535	7045	80	5 / 3.5	1325	1175	1025	900	1025	1000
Duplex										
2800 ³⁾	1880	3845	835	5 / 7.5	1800	1600	1800	1600	1800	1600
3000 ³⁾	1980	4045	935	5 / 7.5	1800	1600	1800	1600	1800	1600
3290	2125	4340	1080	5 / 7.5	1800	1600	1800	1600	1800	1600
3515	2245	4560	1200	5 / 7.5	1800	1600	1800	1600	1800	1600
3700	2385	4745	1340	5 / 7.5	1800	1600	1800	1600	1800	1600
4030	2570	5075	1525	5 / 7.5	1800	1600	1750	1575	1800	1600
Triplex										
3710 ³⁾	1780	4755	735	5 / 6	1800	1600	1800	1600	1800	1600
4010 ³⁾	1880	5055	835	5 / 6	1800	1600	1750	1550	1800	1600
4310 ³⁾	1980	5355	935	5 / 6	1800	1600	1700	1525	1775	1600
4750	2125	5795	1080	5 / 6	1800	1600	1650	1475	1700	1525
5090	2245	6135	1200	5 - 3.5	1750	1550	1600	1425	1650	1475
5490	2385	6535	1340	5 - 3.5	1700	1525	1500	1325	1450	1300
5990	2570	7035	1525	5 - 3.5	1400	1250	1075	950	1075	950
6490	2830	7535	1785	5 - 3.5	1025	900	725	650	750	750
7000	3035	8045	1990	5 - 3.5	750	675	500	475	500	500

- 1) The h4 dimension without Load Backrest decreases with 442 mm
- 2) The h5 dimension without Load Backrest increases with 442 mm
- 3) Masts with h1 lower than overhead guard height (2,050 mm)

- h1 - Height with mast lowered
- h2 - Standard free lift
- h3 - Standard lift height
- h4 - Height with mast raised
- h5 - Full free lift
- Q - Lifting capacity, rated load

Solid pneumatic tires (SE): Front 18x7-8, rear 16x6-8

11.12 20PN

20PN					Standard Forks		Hook-on SS		Integral SS	
h3	h1	h4 ¹⁾	h2/h5 ²⁾	Tilt angle	Single drive		Single drive		Single drive	
					Solid		Solid		Solid	
					500	600	500	600	500	600
mm	mm	mm	mm	Deg	kg	kg	kg	kg	kg	kg
Simplex										
2000 ³⁾	1480	3045	80	5 / 7.5	2000	1800	2000	1800	2000	1800
2560 ³⁾	1760	3605	80	5 / 7.5	2000	1800	2000	1800	2000	1800
2760 ³⁾	1860	3805	80	5 / 7.5	2000	1800	2000	1800	2000	1800
3000 ³⁾	1980	4045	80	5 / 7.5	2000	1800	2000	1800	2000	1800
3290	2125	4335	80	5 / 7.5	2000	1800	2000	1800	2000	1800
3530	2245	4575	80	5 / 7.5	2000	1800	2000	1800	2000	1800
3720	2385	4765	80	5 / 7.5	2000	1800	1950	1800	2000	1800
4090	2570	5135	80	5 / 7.5	2000	1800	1900	1750	1975	1800
4480	2775	5525	80	5 / 7.5	2000	1800	1825	1700	1925	1775
5000	3035	6045	80	5 / 5	1925	1775	1750	1625	1825	1700
5500	3285	6545	80	5 / 5	1850	1650	1600	1425	1600	1500
6000	3535	7045	80	5 / 3.5	1750	1575	1375	1225	1375	1300
Duplex										
2800 ³⁾	1880	3845	835	5 / 7.5	2000	1800	2000	1800	2000	1800
3000 ³⁾	1980	4045	935	5 / 7.5	2000	1800	2000	1800	2000	1800
3290	2125	4340	1080	5 / 7.5	2000	1800	2000	1800	2000	1800
3515	2245	4560	1200	5 / 7.5	2000	1800	1975	1800	2000	1800
3700	2385	4745	1340	5 / 7.5	2000	1800	1950	1800	2000	1800
4030	2570	5075	1525	5 / 7.5	2000	1800	1900	1750	1975	1800
Triplex										
3710 ³⁾	1780	4755	735	5 / 6	2000	1800	1950	1750	2000	1800
4010 ³⁾	1880	5055	835	5 / 6	2000	1800	1900	1725	1975	1800
4310 ³⁾	1980	5355	935	5 / 6	2000	1800	1850	1700	1925	1775
4750	2125	5795	1080	5 / 6	1950	1800	1775	1650	1875	1725
5090	2245	6135	1200	5 / 6	1900	1750	1725	1600	1800	1675
5490	2385	6535	1340	5 / 6	1850	1700	1500	1400	1450	1450
5990	2570	7035	1525	5 - 3.5	1775	1575	1450	1300	1425	1425
6490	2830	7535	1785	5 - 3.5	1325	1300	1025	1000	1025	1025
7000	3035	8045	1990	5 - 3.5	1000	1000	700	700	725	725

- 1) The h4 dimension without Load Backrest decreases with 442 mm
- 2) The h5 dimension without Load Backrest increases with 442 mm
- 3) Masts with h1 lower than overhead guard height (2,050 mm)

- h1 - Height with mast lowered
- h2 - Standard free lift
- h3 - Standard lift height
- h4 - Height with mast raised
- h5 - Full free lift
- Q - Lifting capacity, rated load

Solid pneumatic tires (SE): Front 200/50-10, rear 16x6-8



CEOM1782 (01/17)
© 2017 MCFE
Printed in The Netherlands
All rights reserved.

mitforklift@mcf.nl

www.mitforklift.com

Mitsubishi Forklift Trucks® is a registered trademark of Mitsubishi Heavy Industries®, Inc. All brand or product names are or may be trademarks of, and are used to identify products and services of, their respective owners.

This document may only be used certified Mitsubishi Forklift Trucks dealers, and should not be given to any client or customer or other third party.

NOTE: Performance specifications may vary depending on standard manufacturing tolerances, vehicle condition, types of tyres, floor or surface conditions, applications or operating environment. Trucks may be shown with non-standard options. Specific performance requirements and locally available configurations should be discussed with your distributor of Mitsubishi forklift trucks. Mitsubishi follows a policy of continual product improvement. For this reason, some materials, options and specifications could change without notice.